



# Bollard series



➤ **MER 918**



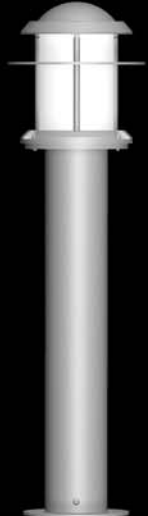
➤ **MIS 905**



➤ **MIS 908**

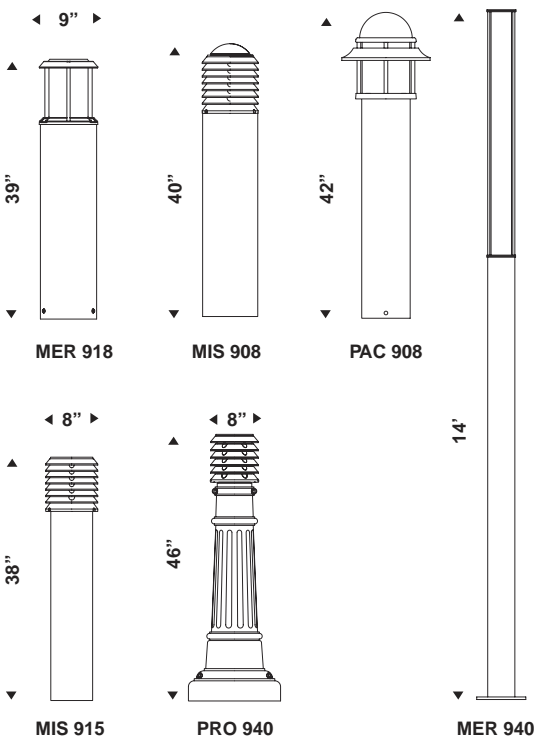


➤ **PAC 908**



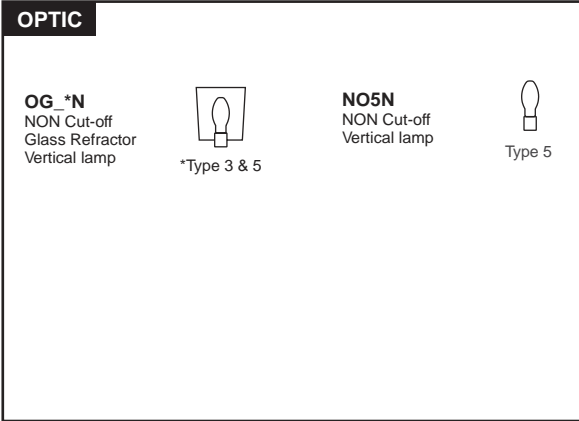
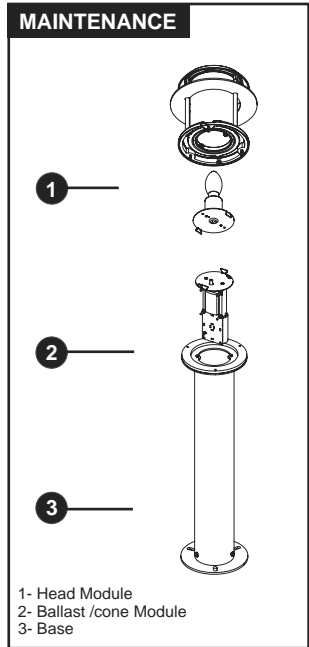
➤ **PAC 905**





# Bollard Series

Bollards available in 5", 6" and 8" diameter. Made of extruded aluminum welded to an anchor plate. The lamp and ballast can be serviced through the removal of the optical assembly.



### ORDERING INFO

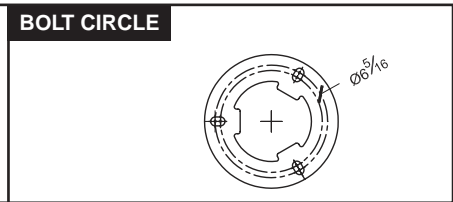
PRODUCT	OPTIC	GLOBE	LAMP	VOLTAGE	COLOR	OPTION
MER 918	OG3N	GPC	100 MH / MED	120	BK TX	PBT

### GLOBE

**GAC:** Clear Acrylic  
**GAO:** Opal Acrylic  
**GPC:** Clear polycarbonate  
**GPO:** Opal polycarbonate

### OPTIONS

#PBT: Button Type Photocell



### LAMP

METAL HALIDE	50	MH	Medium
	70	MH	Medium
HIGH PRESSURE SODIUM	50	HPS	Medium
	70	HPS	Medium & Mogul
LIGHT-EMITTING DIODE (LED)	18w	120v/ 240v	

### VOLTAGE

Single tap: 120v / 208v / 240v / 277v / 347v / 480v  
 Dual tap: Dt1/\* (120-240v) Dt2/\* (120-277v)  
 Tri tap: Tt1/\* (120-208-240v) Tt2/\* (120-277-347v)  
 Quad tap: Qt/\* (120-208-240-277v)

\* = connected at \_\_\_\_\_ volts

### COLOR

<b>WH TX</b>	WHITE	<b>RD TX</b>	RED
<b>BK TX</b>	BLACK	<b>GY TX</b>	GREY
<b>GN TX</b>	GREEN	<b>GND TX</b>	DARK GREEN
<b>TAN TX</b>	BEIGE	<b>BU TX</b>	BLUE
<b>BZ TX</b>	BRONZE	<b>SY SM</b>	NU SPARKLE SILVER

