



**Meridien**  
series



➤ **MER 101**

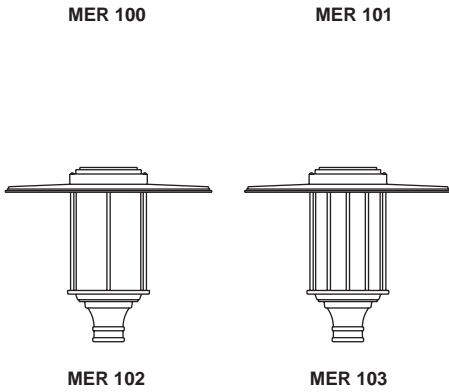
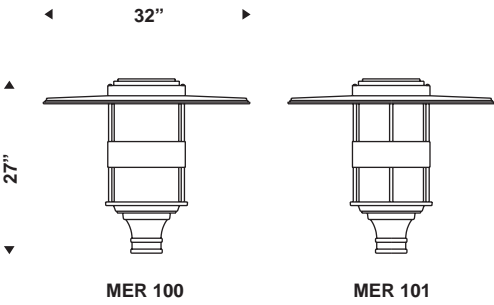


➤ **MER 102**



# Meridien Series

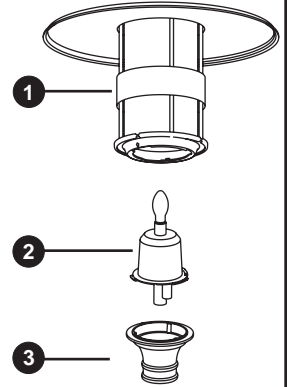
The MER100 series fixtures are made of a heavy spun aluminum top and shade c/w aluminum rods. A one-piece injected molded or acrylic cylindrical globe is mechanically fastened to a QUAD-TURN system c/w stainless steel hardware. The globe is assembled to a cast aluminum post top adaptor. The lamp and removable ballast assembly are accessible by means of a tool-free QUAD-TURN, quarter-turn locking system.



TENON ADPATOR: Ø4" x 3"lg  
E.P.A: 2.2 sq ft

WEIGHT: 30 lbs

## MAINTENANCE



1- Head Module  
2- Ballast / cone Module  
3- Fitter Module

## OPTIC

**OG\_\*N**  
NON Cut-off  
Glass Refractor  
Vertical lamp



\*Type 3 & 5

**OC\_\*N**  
NON Cut-off  
Reflector &  
Refractor  
Vertical lamp



\*Type 3 & 5

**OLS\_\*S**  
Semi cut-off  
Louvers System  
Vertical lamp



\*Type 3 & 5

**NO5N**  
NON Cut-off  
Vertical lamp



Type 5

Option: HS House shield

## ORDERING INFO

PRODUCT	OPTIC	GLOBE	WATT / SOURCE / SOCKET	VOLTAGE	COLOR	OPTION
MER 100	OG3N	GAC	100 MH / MED	120	BK TX	PBT

## GLOBE

**GAC:** Clear Acrylic  
**GAO:** Opal Acrylic  
**GAB:** Brushed Acrylic



## OPTIONS

**FINIALS:**



#F1 #F2 #F3 #F4 #F5

#PBT: Button Type Photocell

#PTR3: Post Top Reducer Ø3"

## WATT / SOURCE / SOCKET

METAL HALIDE	WATT	SOURCE	SOCKET
	50	MH	Medium
	70	MH	Medium
	100	MH	Medium
	150	MH	Medium
	175	MH	Medium & Mogul

HIGH PRESSURE SODIUM	WATT	SOURCE	SOCKET
	50	HPS	Medium
	70	HPS	Medium & Mogul
	100	HPS	Medium & Mogul
	150	HPS	Medium & Mogul

## VOLTAGE

Single tap: 120v / 208v / 240v / 277v / 347v / 480v  
Dual tap: **Dt1**/\* (120-240v) **Dt2**/\* (120-277v)  
Tri tap: **Tt1**/\* (120-208-240v) **Tt2**/\* (120-277-347v)  
Quad tap: **Qt**/\* (120-208-240-277v)

\* = connected at \_\_\_\_\_ volts

COLOR	CODE	DESCRIPTION
WH TX	WHITE	RD TX RED
BK TX	BLACK	GY TX GREY
GN TX	GREEN	GND TX DARK GREEN
TAN TX	BEIGE	BU TX BLUE
BZ TX	BRONZE	SY SM NU SPARKLE SILVER

## EXAMPLE

