



Quattro
Lighting



Meridien
series



➤ MER 130

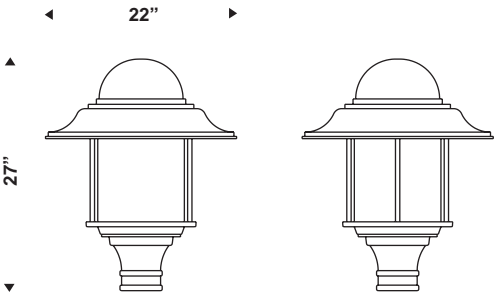


➤ MER 140



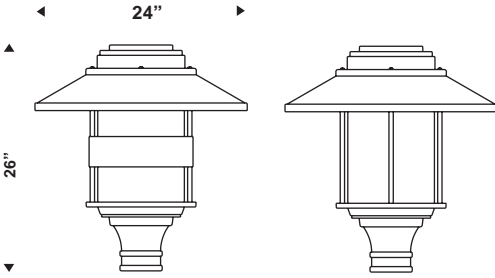
Meridien Series

The MER130/140 series fixtures are made of a heavy spun aluminum top and shade c/w aluminum rods. A one-piece injected molded acrylic cylindrical globe is mechanically fastened to a QUAD-TURN system c/w stainless steel hardware. The globe is assembled to a cast aluminum post top adaptor. The lamp and removable ballast assembly are accessible by means of a tool-free QUAD-TURN, quarter-turn locking system.



MER 130

MER 131



MER 140

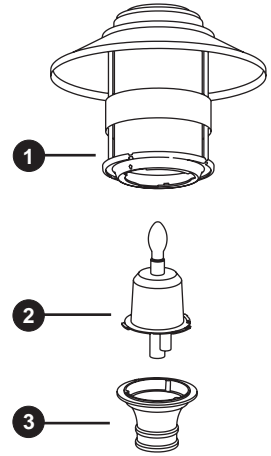
MER 141

TENON ADPATOR: Ø4" x 3"lg

E.P.A: 1.88 sq ft

WEIGHT: 22 lbs

MAINTENANCE



- 1- Head Module
- 2- Ballast / cone Module
- 3- Fitter Module

OPTIC

OG_*N
NON Cut-off
Glass Refractor
Vertical lamp



*Type 3 & 5

OC_*N
NON Cut-off
Reflector &
Refractor
Vertical lamp



*Type 3 & 5

OLS_*S
Semi cut-off
Louvers System
Vertical lamp



*Type 3 & 5

NO5N
NON Cut-off
Vertical lamp



Type 5

Option: HS House shield

ORDERING INFO

PRODUCT	OPTIC	GLOBE	WATT / SOURCE / SOCKET	VOLTAGE	COLOR	OPTION
MER 130	OG3N	GAC	100 MH / MED	120	BKTX	PBT

GLOBE

GAC: Clear Acrylic
GAO: Opal Acrylic
GAB: Brushed Acrylic



OPTIONS

FINIALS:



#PBT: Button Type Photocell

#PTR3: Post Top Reducer Ø3"

WATT / SOURCE / SOCKET

METAL HALIDE	WATT	SOURCE	SOCKET
	50	MH	Medium
	70	MH	Medium
	100	MH	Medium
	150	MH	Medium
	175	MH	Medium & Mogul

HIGH PRESSURE SODIUM	WATT	SOURCE	SOCKET
	50	HPS	Medium
	70	HPS	Medium & Mogul
	100	HPS	Medium & Mogul
	150	HPS	Medium & Mogul

VOLTAGE

Single tap: 120v / 208v / 240v / 277v / 347v / 480v
Dual tap: Dt1/* (120-240v) Dt2/* (120-277v)
Tri tap: Tt1/* (120-208-240v) Tt2/* (120-277-347v)
Quad tap: Qt/* (120-208-240-277v)

* = connected at _____ volts

COLOR	CODE	NAME	
WH TX	WHITE	RD TX	RED
BK TX	BLACK	GY TX	GREY
GN TX	GREEN	GND TX	DARK GREEN
TAN TX	BEIGE	BU TX	BLUE
BZ TX	BRONZE	SY SM	NU SPARKLE SILVER

EXAMPLE

