



**Provincial  
series**



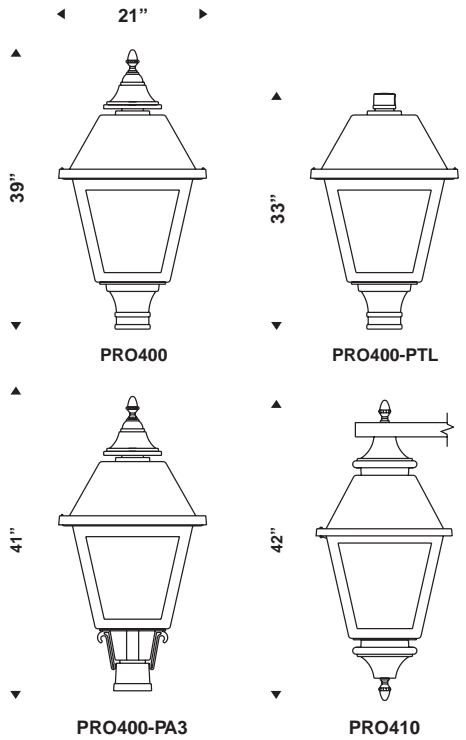
➤ **PRO 400**



➤ **PRO 410**



# Provincial Series





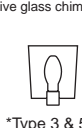


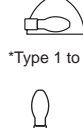

TENON ADPTOR: Ø4" x 3"lg  
E.P.A: 2.55 sq ft

WEIGHT: 50 lbs

### ORDERING INFO

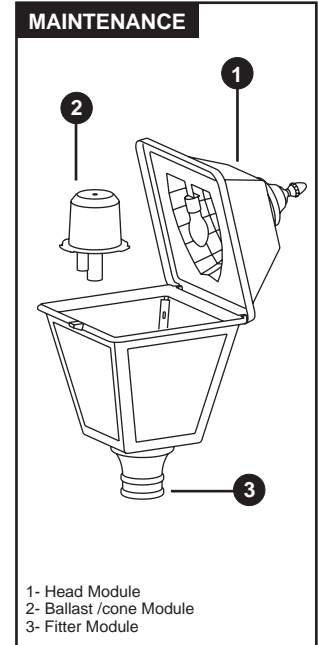
PRODUCT	OPTIC	LENS	WATT / SOURCE / SOCKET	VOLTAGE	COLOR	OPTION
PRO 400	ORH3C	GGC	100 MH / MED	120	BK TX	AC

The PRO400 series fixtures are made of a one-piece cast aluminum tapered hood and cast aluminum cupola and cast finial. The housing is made of a tapered square one-piece aluminum casting c/w an integrated hinge and four lenses. The housing is assembled to a cast aluminum pole adaptor. The PA3 option offers a cast yoke-mount pole adaptor. The lamp and removable ballast assembly are accessible by means of a captive screw and tool-free QUAD-TURN, quarter-turn locking system.

OPTIC	
<b>ORH_*C**</b> Cut-off Reflector Horizontal lamp *Type 3 & 5	
<b>ORV_*C**</b> Cut-off Reflector Vertical lamp *Type 3 & 5	
<b>OG_*N</b> NON Cut-off Glass Refractor Vertical lamp *Type 3 & 5	
<b>OC_*N</b> NON Cut-off Reflector & Refractor Vertical lamp *Type 3 & 5	
<b>OLS_*S</b> Semi cut-off Louvers System (compact version) Vertical lamp *Type 3 & 5	
<b>OCB_*F</b> Cut-off Reflector Horizontal lamp *Type 1 to 4	
<b>NOSN</b> NON Cut-off Vertical lamp Type 5	

\*\* = comes with decorative glass chimney

Option: HS House shield



### LENS

<b>GAC:</b>	Clear Acrylic
<b>GPC:</b>	Clear Polycarbonate
<b>GAO:</b>	Opal Acrylic
<b>GPO:</b>	Opal Polycarbonate
<b>GGC:</b>	Clear Glass



### OPTIONS

**FINIALS:** #F1 #F2 #F3 #F4 #F5

**FITTERS:** #PA1 #PA3

#PBT: Button Type Photocell  
#SPK: Decorative spike

#AC: Copper Accent  
#PTR3: Post Top Reducer Ø3"

#AB: Brass Accent

### WATT / SOURCE / SOCKET

<b>METAL</b>	50	MH	Medium
<b>HALIDE</b>	70	MH	Medium
	100	MH	Medium
	150	MH	Medium
	175	MH	Medium & Mogul
*- consult factory	250*	MH	Mogul

### HIGH PRESSURE SODIUM

	50	HPS	Medium
	70	HPS	Medium & Mogul
	100	HPS	Medium & Mogul
	150	HPS	Medium & Mogul
*- consult factory	250*	HPS	Mogul

### VOLTAGE

Single tap: 120v / 208v / 240v / 277v / 347v / 480v  
 Dual tap: Dt1/\* (120-240v) Dt2/\* (120-277v)  
 Tri tap: Tt1/\* (120-208-240v) Tt2/\* (120-277-347v)  
 Quad tap: Qt/\* (120-208-240-277v)

\* = connected at \_\_\_\_\_ volts

### COLOR

<b>WH TX</b>	WHITE	<b>RD TX</b>	RED
<b>BK TX</b>	BLACK	<b>GY TX</b>	GREY
<b>GN TX</b>	GREEN	<b>GND TX</b>	DARK GREEN
<b>TAN TX</b>	BEIGE	<b>BU TX</b>	BLUE
<b>BZ TX</b>	BRONZE	<b>SY SM</b>	NU SPARKLE SILVER

