



**Sierra
series**



➤ **SRA 400**

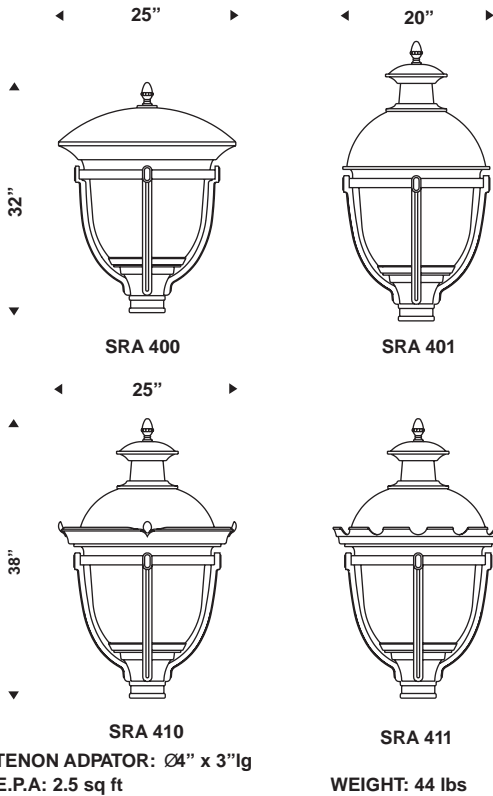


➤ **SRA 410**



Sierra Series

The SRA series fixtures are made of a one-piece injected, UV stabilized, high heat resistant, impact resistant acrylic or polycarbonate prismatic globe with a spun aluminum hood c/w a decorative cast finial. The globe is assembled to a cast aluminum post top adaptor complete with four cast aluminum decorative arms. The lamp and removable ballast assembly are accessible by means of a tool-free QUAD-TURN, quarter-turn locking system.



TENON ADPATOR: Ø4" x 3"lg
E.P.A: 2.5 sq ft

WEIGHT: 44 lbs

ORDERING INFO

PRODUCT	OPTIC	GLOBE	WATT / SOURCE / SOCKET	VOLTAGE	COLOR	OPTION
SRA 400	OP3N	GAC	100 MH / MED	120	BK TX	PBT

GLOBE


GAC: Clear Acrylic Prismatic
GPC: Clear Polycarbonate Prismatic



OPTIONS

FINIALS: #F1 #F2 #F3 #F4 #F5

#PBT: Button Type Photocell
#AC: Copper Accent
#PTL: Twist Lock-Photocell
#PTR3: Post Top Reducer Ø3"



WATT / SOURCE / SOCKET

METAL	50	MH	Medium
HALIDE	70	MH	Medium
	100	MH	Medium
	150	MH	Medium
	175	MH	Medium & Mogul
- consult factory	250	MH	Mogul

HIGH PRESSURE SODIUM

	50	HPS	Medium
	70	HPS	Medium & Mogul
	100	HPS	Medium & Mogul
	150	HPS	Medium & Mogul
- consult factory	250	HPS	Mogul

VOLTAGE

Single tap: 120v / 208v / 240v / 277v / 347v / 480v
 Dual tap: Dt1/* (120-240v) Dt2/* (120-277v)
 Tri tap: Tt1/* (120-208-240v) Tt2/* (120-277-347v)
 Quad tap: Qt/* (120-208-240-277v)


* = connected at _____ volts

COLOR

WH TX	WHITE	RD TX	RED
BK TX	BLACK	GY TX	GREY
GN TX	GREEN	GND TX	DARK GREEN
TAN TX	BEIGE	BU TX	BLUE
BZ TX	BRONZE	SY SM	NU SPARKLE SILVER

OPTIC

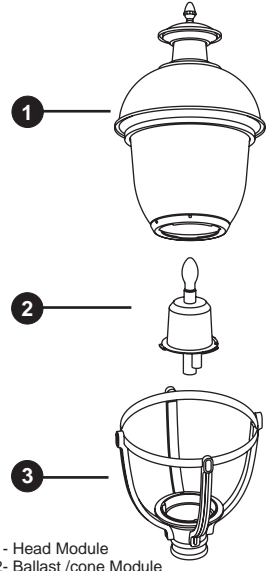
OP_*N
Non cut-off
Refractor
Vertical lamp



*Type 3 & 5

Option: HS House shield

MAINTENANCE



1- Head Module
2- Ballast / cone Module
3- Fitter Module

