



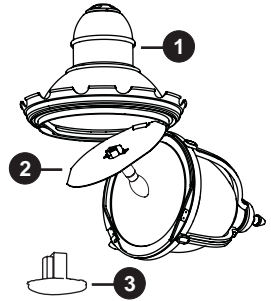
Sierra
series



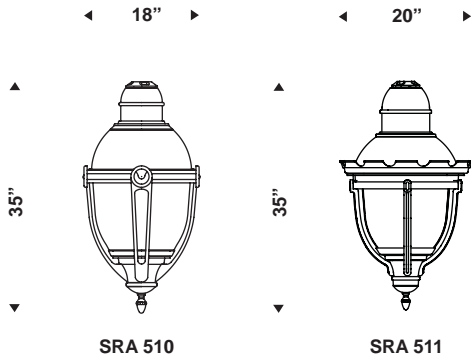
Sierra Series

The pendant SRA attaches to the arm through a housing made from an aluminum castings and spinning. The optical assembly features a polycarbonate or acrylic globe attached to a cage housing made of four decorative struts. The optical assembly is hinged and allows access to the lamp and ballast in a tool free environment.

MAINTENANCE

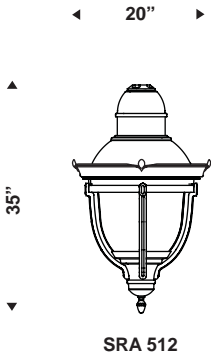


1- Head Module
2- Optic Module
3- Ballast / cone Module



SRA 510

SRA 511



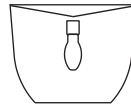
SRA 512

E.P.A: 2.5 sq ft

WEIGHT: 47 lbs

OPTIC

OP_*N
Non cut-off
Reflector
Vertical lamp
**IP66



*Type 3 & 5

Option: HS House shield

**-. Consult factory

ORDERING INFO

| PRODUCT | OPTIC | GLOBE | WATT / SOURCE / SOCKET | VOLTAGE | COLOR | OPTION |
|---------|-------|-------|------------------------|---------|-------|--------|
| SRA 510 | OP3N | GAC | 100 MH / MED | 120 | BK TX | PBT |

GLOBE

GAC: Clear Acrylic
GPC: Clear Polycarbonate



OPTIONS

FINIALS:  #F1 #F2 #F3 #F4 #F5

#PBT: Button Type Photocell

#AC: Copper Accent

WATT / SOURCE / SOCKET

| METAL HALIDE | WATT | SOURCE | SOCKET |
|--------------|------|--------|----------------|
| | 50 | MH | Medium |
| | 70 | MH | Medium |
| | 100 | MH | Medium |
| | 150 | MH | Medium |
| | 175 | MH | Medium & Mogul |

| HIGH PRESSURE SODIUM | WATT | SOURCE | SOCKET |
|----------------------|------|--------|----------------|
| | 50 | HPS | Medium |
| | 70 | HPS | Medium & Mogul |
| | 100 | HPS | Medium & Mogul |
| | 150 | HPS | Medium & Mogul |

VOLTAGE

Single tap: 120v / 208v / 240v / 277v / 347v / 480v
Dual tap: **Dt1*** (120-240v) **Dt2*** (120-277v)
Tri tap: **Tt1*** (120-208-240v) **Tt2*** (120-277-347v)
Quad tap: **Qt*** (120-208-240-277v)

* = connected at _____ volts

COLOR

| | | | |
|---------------|--------|---------------|-------------------|
| WH TX | WHITE | RD TX | RED |
| BK TX | BLACK | GY TX | GREY |
| GN TX | GREEN | GND TX | DARK GREEN |
| TAN TX | BEIGE | BU TX | BLUE |
| BZ TX | BRONZE | SY SM | NU SPARKLE SILVER |

EXEMPLES

