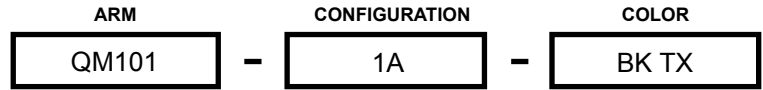
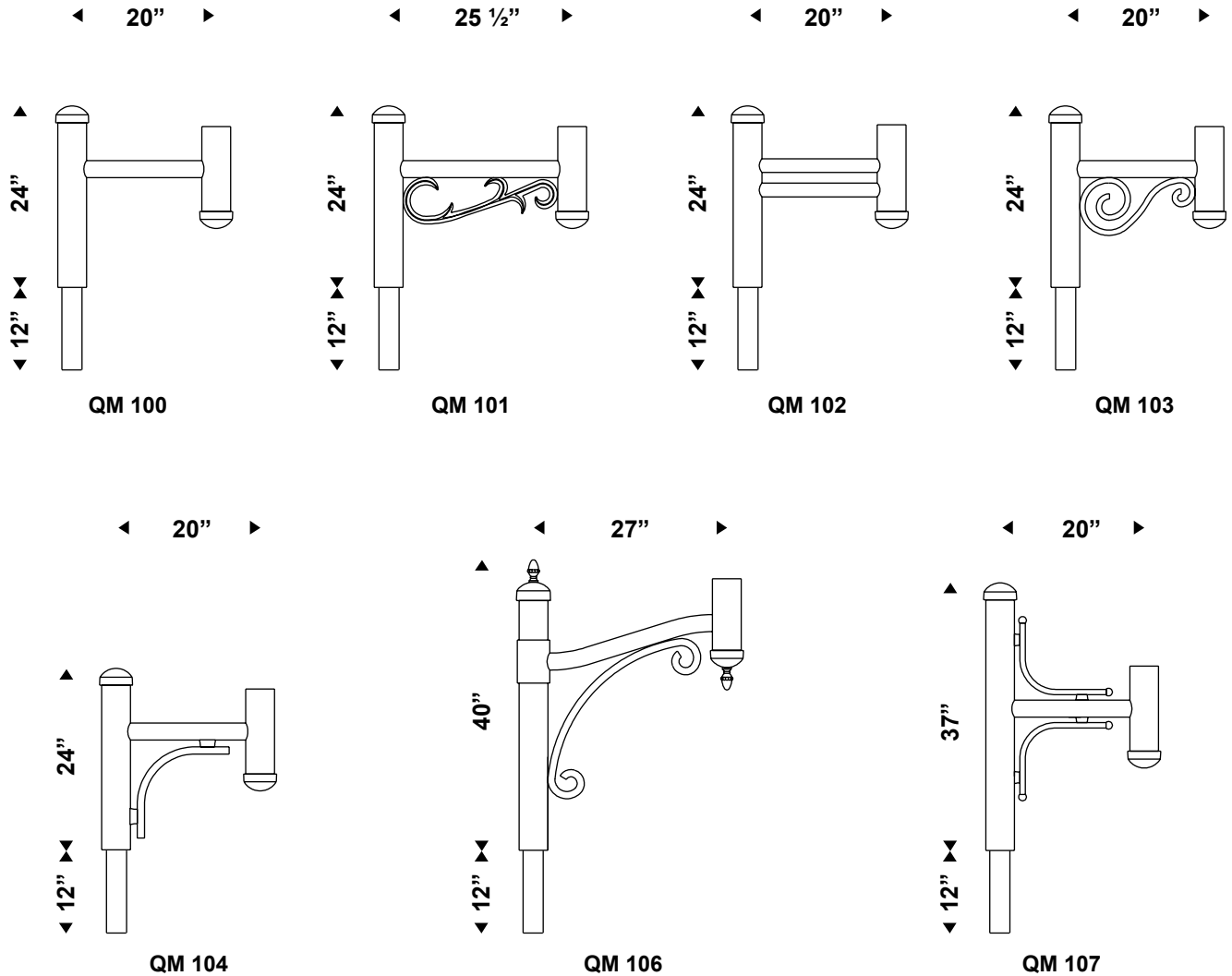


# Mounting Arm Guide

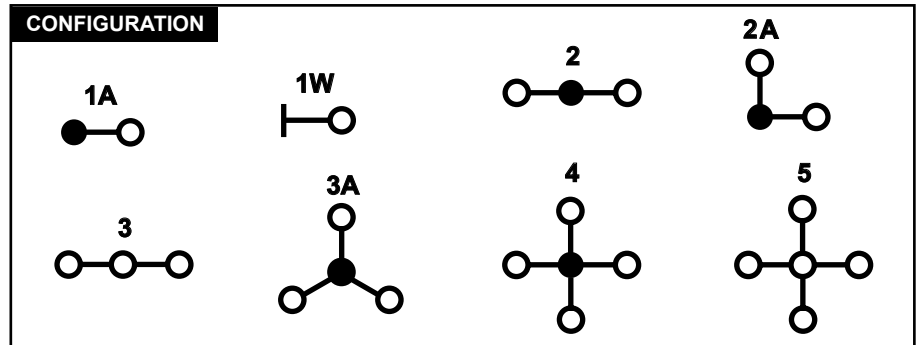
## ORDERING INFO



The QM 100 series top mounting arms feature a 2-3/8" round section of extruded aluminum tubing welded to a aluminum tube, same as pole, capped off with a cast aluminum casting. A cast aluminum scroll can be added as a decorative element. The mounting adaptor is made from a 4" round by 3" high tenon. All mountings are pre-wired for ease of installation.



COLOR			
<b>WH TX</b>	WHITE	<b>RD TX</b>	RED
<b>BK TX</b>	BLACK	<b>GY TX</b>	GREY
<b>GN TX</b>	GREEN	<b>GND TX</b>	DARK GREEN
<b>TAN TX</b>	BEIGE	<b>BU TX</b>	BLUE
<b>BZ TX</b>	BRONZE	<b>SY SM</b>	NU SPARKLE SILVER

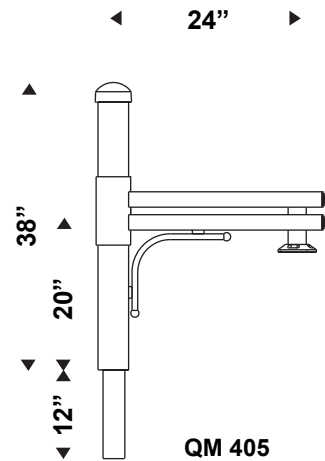
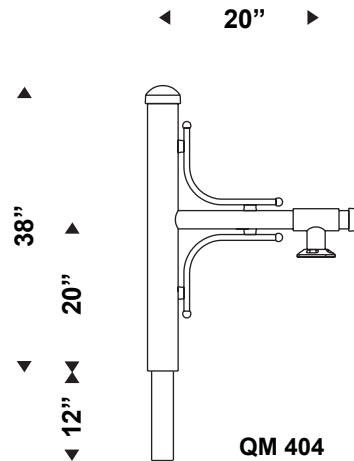
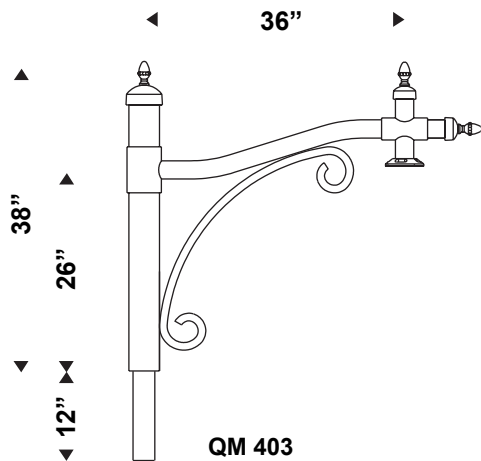
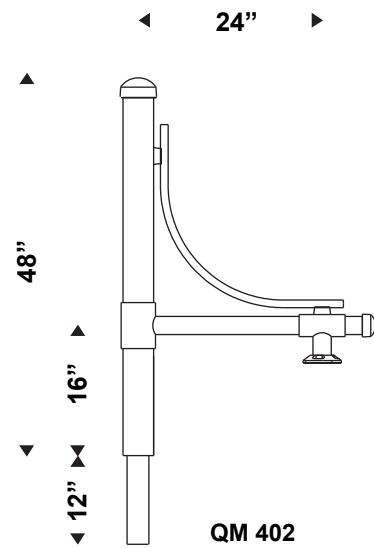
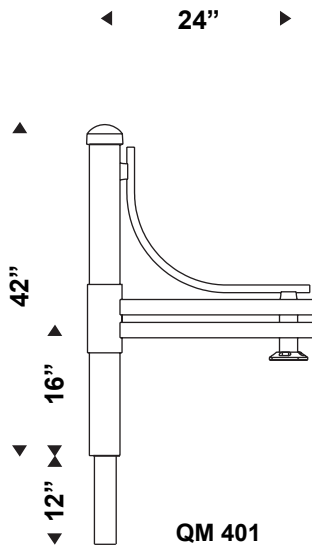
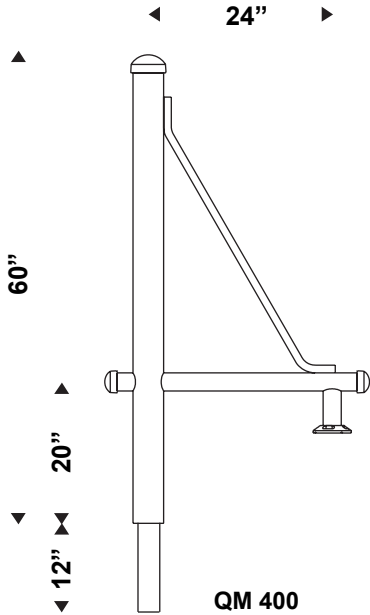


# Mounting Arm Guide

## ORDERING INFO

ARM	CONFIGURATION	COLOR
QM402	1A	BK TX

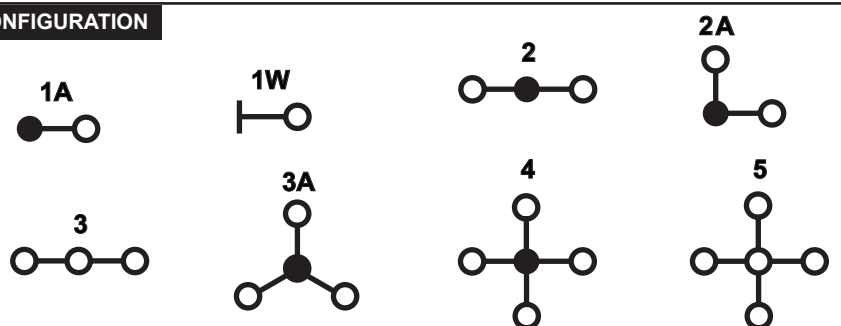
The QM 400 series suspended mounting brackets feature a 2-3/8" round or a 2 x 3 rectangular section of extruded aluminum tubing. A cast aluminum fixture mounting ring is welded to the extruded tubing along with cast aluminum caps. The mounting arm can adapt to slip fit into or onto the pole. All mountings are pre-wired for ease of installation.



## COLOR

<b>WH TX</b>	WHITE	<b>RD TX</b>	RED
<b>BK TX</b>	BLACK	<b>GY TX</b>	GREY
<b>GN TX</b>	GREEN	<b>GND TX</b>	DARK GREEN
<b>TAN TX</b>	BEIGE	<b>BU TX</b>	BLUE
<b>BZ TX</b>	BRONZE	<b>SY SM</b>	NU SPARKLE SILVER

## CONFIGURATION

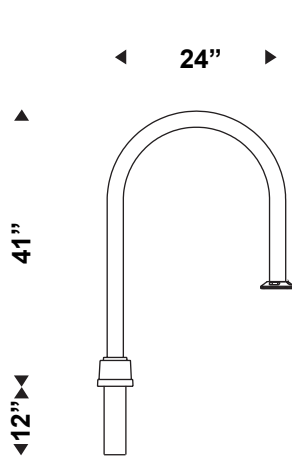


# Mounting Arm Guide

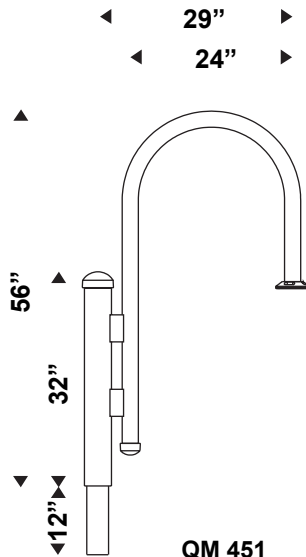
## ORDERING INFO

ARM	CONFIGURATION	COLOR
QM451	1A	BK TX

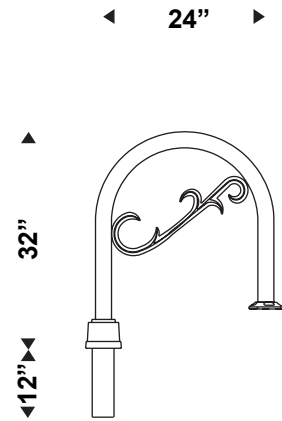
The QM 450 series suspended mounting brackets feature a 2-3/8" round section of extruded aluminum tubing bent to a 180 degree angle. A cast aluminum fixture mounting ring is welded to the extruded tubing. The assembly is then welded to a cast aluminum post or side mount adaptor. The mounting arm can slip fit into or onto the pole. All mountings are pre-wired for ease of installation.



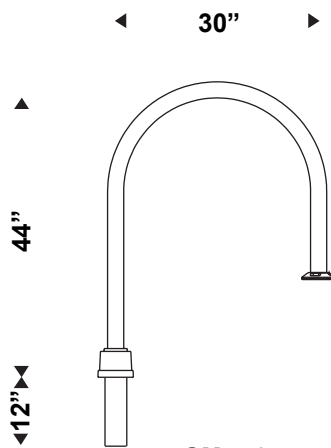
QM 450



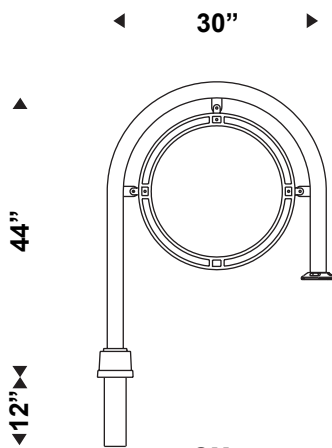
QM 451



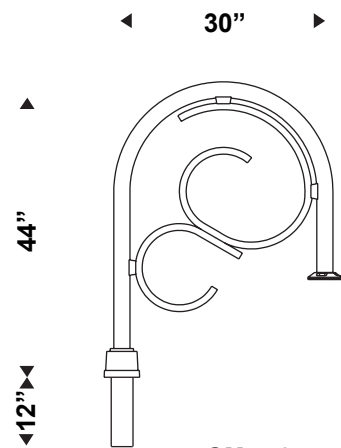
QM 452



QM 453



QM 455

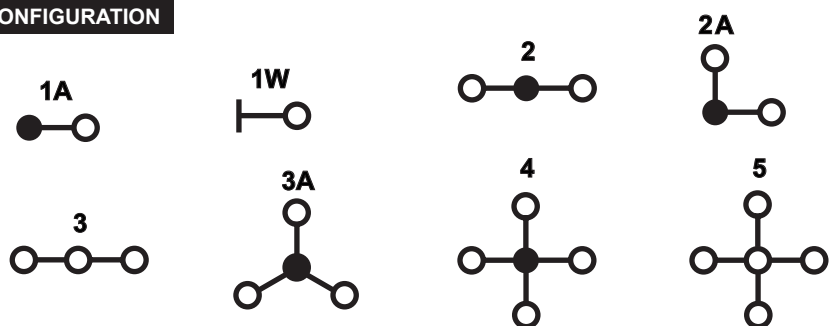


QM 456

## COLOR

<b>WH TX</b>	WHITE	<b>RD TX</b>	RED
<b>BK TX</b>	BLACK	<b>GY TX</b>	GREY
<b>GN TX</b>	GREEN	<b>GND TX</b>	DARK GREEN
<b>TAN TX</b>	BEIGE	<b>BU TX</b>	BLUE
<b>BZ TX</b>	BRONZE	<b>SY SM</b>	NU SPARKLE SILVER

## CONFIGURATION

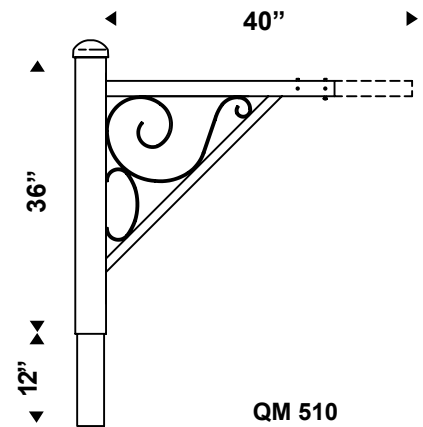
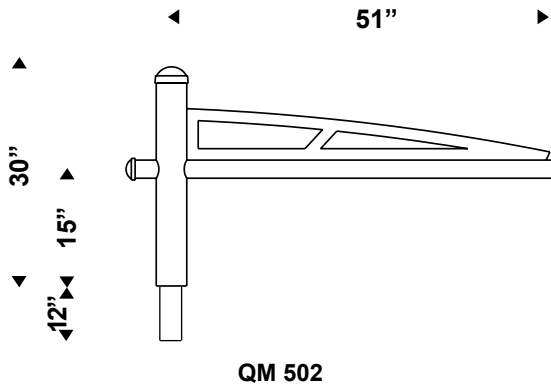
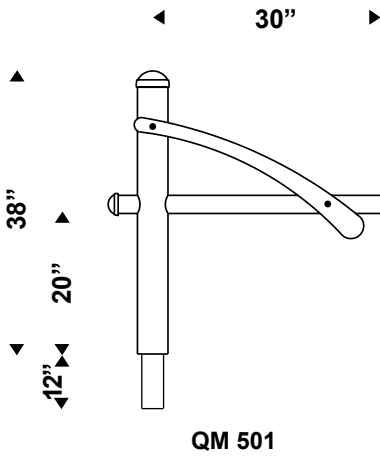
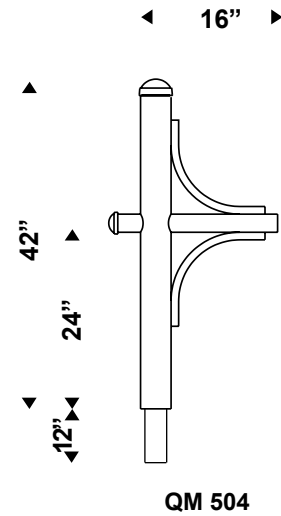
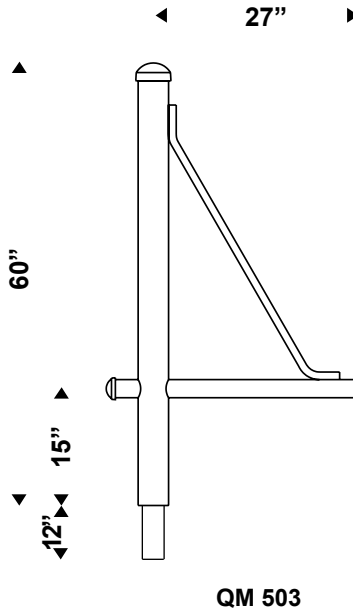
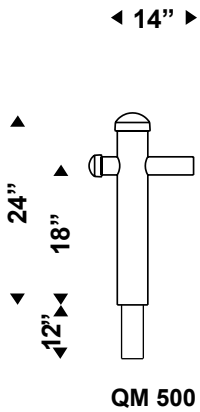


# Mounting Arm Guide

## ORDERING INFO

ARM	CONFIGURATION	COLOR
QM502	1A	BK TX

The QM 500 series side mounting arms feature a 2-3/8" round section of extruded aluminum tubing welded to a aluminum tube, same as pole, capped off with a cast aluminum casting. A formed aluminum scroll or cut piece of flat aluminum can be added as a decorative element. All mountings are pre-wired for ease of installation.



## COLOR

<b>WH TX</b>	WHITE	<b>RD TX</b>	RED
<b>BK TX</b>	BLACK	<b>GY TX</b>	GREY
<b>GN TX</b>	GREEN	<b>GND TX</b>	DARK GREEN
<b>TAN TX</b>	BEIGE	<b>BU TX</b>	BLUE
<b>BZ TX</b>	BRONZE	<b>SY SM</b>	NU SPARKLE SILVER

## CONFIGURATION

