

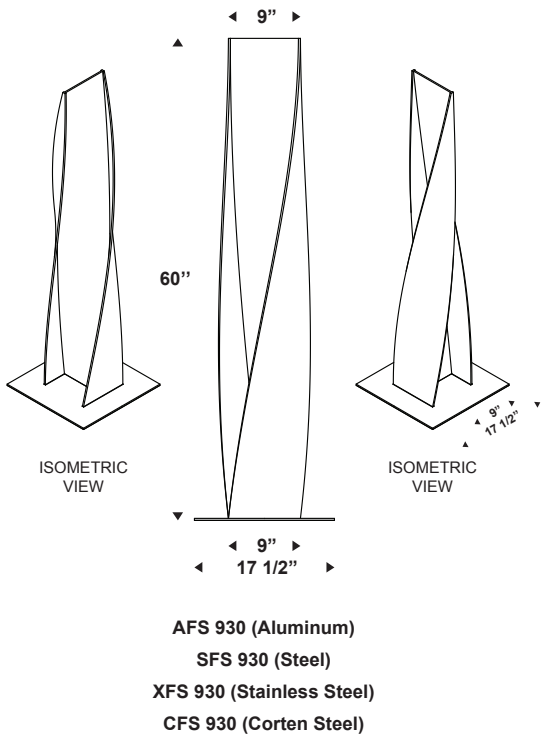
# QUATTRO

Decorative Architectural Structures

## FUSION Series



CFS930



## Fusion Series



# QUATTRO

www.quattrolighting.com

The Fusion Series offer decorative architectural structures to live up to your imagination. Purely ornamental or used for mood lighting, these artworks will certainly exhilarate your environment. Size, shape, integrated backlight or not, type of anchor, colors, finishes, are all parameters you choose. Tell us what you have in mind and we'll take care of it!

### OPTIC

**L\*/QS**  
LED Projector  
(Light beam  
of 15 degrees)  
**IP66 Rated**



**L\_\*/QS**  
LED Module  
**IP66 Rated** \*Type 3 & 5



**OV\_\*/QS**  
Reflector  
Vertical lamp  
**IP66 Rated**



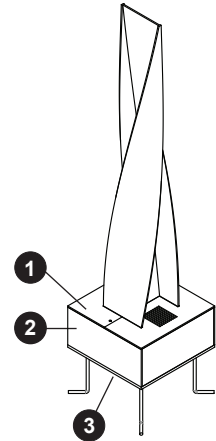
\*Type 3 & 5

**NO5/QS**  
Vertical lamp  
**IP66 Rated**



Type 5

### MAINTENANCE



- 1- Removable cover (in two sections) provided with lens and protection grid
- 2- Water-resistant housing and electrical components
- 3- Anchor plate

### ORDERING INFO

PRODUCT	OPTIC	LENS	WATT / SOURCE / SOCKET	VOLTAGE	COLOR	OPTION
AFS930	OV3	GAC	100 MH / MED	120	BKTX	CL

### LENS

**GAC:** Clear Acrylic  
**GAB:** Brushed Acrylic

### VOLTAGE

SINGLE TAP: **120 / 208 / 240 / 277 / 347 / 480**  
DUAL TAP: **DT1/\_\* (120-240)**  
**DT2/\_\* (120-277)**  
TRI TAP: **TT1/\_\* (120-208-240)**  
**TT2/\_\* (120-277-347)**  
QUAD TAP: **QT/\_\* (120-208-240-277)**  
\* = connected at \_\_\_\_\_ volts

### WATT / SOURCE / SOCKET

METAL HALIDE **50 / 70 / 100 / 150** **MH** **MED** (Medium)  
**175** **MH** **MED & MOG** (Medium & Mogul)

Options: **/EL** Electronic Ballast  
**/D\_\*** Step Dimming \*6, 8 or 10 hours

**45 / 60 / 90 / 140** **MH** **PGZ12**  
**210 / 315** **MH** **PGZ18**

Options: **/D\_\*** Step Dimming \*6, 8 or 10 hours

### COLOR

TEXTURED FINISH		FINE TEXTURED FINISH	
<b>BKTX</b> Black	<b>BKST</b> Black	<b>ANST</b> Anthracite	<b>GYST</b> Grey
<b>BZTX</b> Bronze	<b>GNDTX</b> Dark Green	<b>GNTX</b> Green	<b>SANST</b> Metallic Sand
<b>BUTX</b> Blue	<b>RDTX</b> Red	<b>GYTX</b> Grey	<b>SMOOTH FINISH</b>
<b>TANTX</b> Tan	<b>WHTX</b> White	<b>SYSM</b> Nu Sparkle Silver	

HIGH PRESSURE SODIUM **50 / 70 / 100 / 150** **HPS** **MED & MOG** (Medium & Mogul)

LED **20** **LEDJ**  
**10 to 80** **LEDL** (TYPE 3 & 5)

### OPTIONS

**PBT:** Button type photocell  
**PR:** Primed  
**GALV:** Galvanized  
**NP:** Unpainted finish  
**NPB:** Unpainted, brushed finish  
**CL:** Clear coat finish  
**TP:** Tamper proof screw (cover)