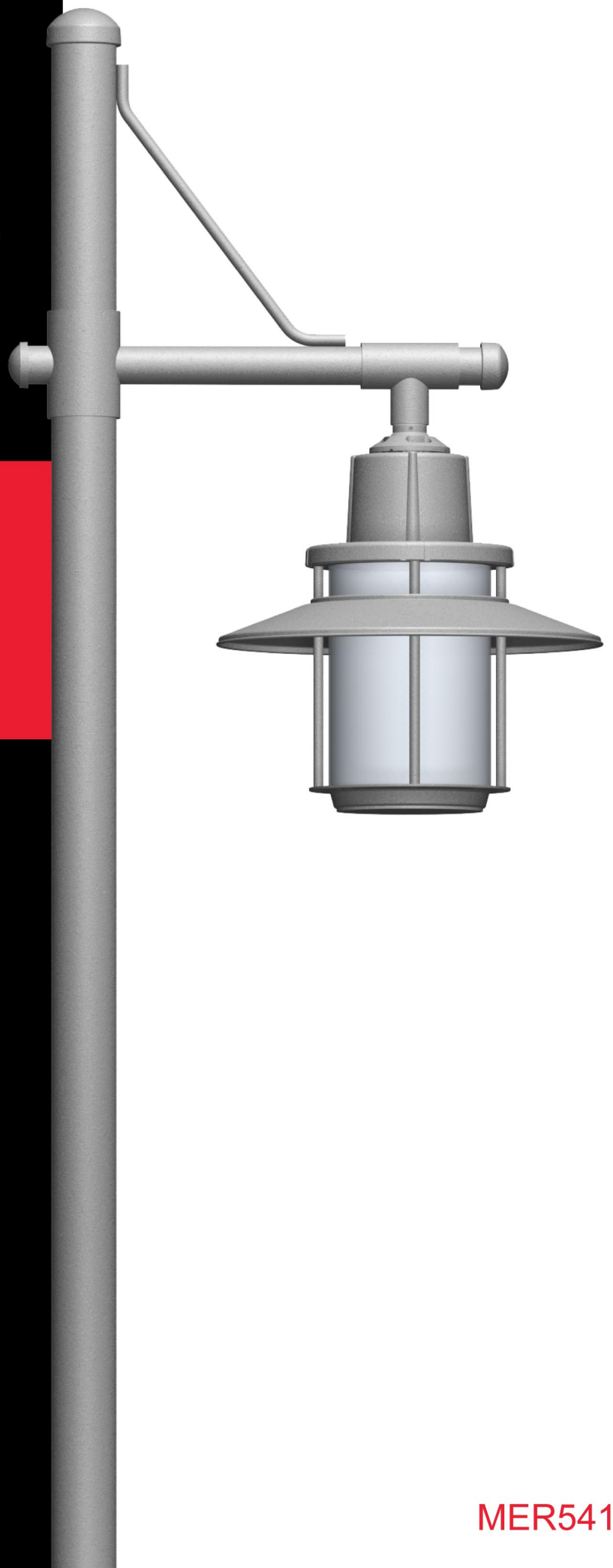
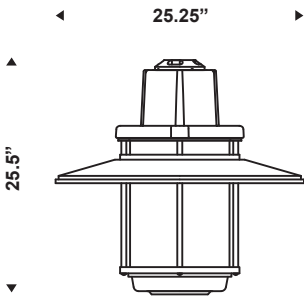


QUATTRO

MERIDIEN
series



MER541



MER 541

Meridien Series

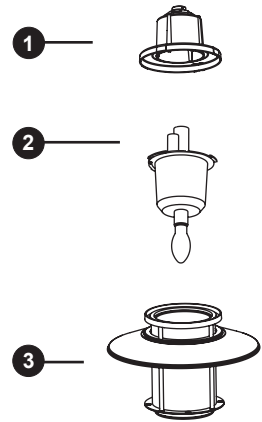


QUATTRO

www.quattrolighting.com

The MER541 fixture is made of a cast aluminum pendant adapter and collar, a heavy spun aluminum shade, a cylindrical acrylic globe, a cast aluminum bottom c/w decorative extruded aluminum rods. The fixture opening is done by means of a quarter turn rotation of the head module. This opening system allows a tool-free access to the inside of the luminaire. The globe is offered in three finishes; clear, opal and brushed.

MAINTENANCE



1- Head Module
2- Ballast /cone Module
3- Filter Module

OPTIC

OG_*
Non cut-off
Glass refractor
Vertical lamp



*Type 3 & 5

NO5
Non cut-off
Vertical lamp



Type 5

OLS_*
Semi cut-off
Louvers System
Vertical lamp



*Type 3 & 5

L_*
Full cut-off
LED Module
IP66 Rated



*Type 3 & 5

E.P.A: 2 sq ft

WEIGHT: 39 lbs

ORDERING INFO

PRODUCT	OPTIC	LENS	WATT / SOURCE / SOCKET	VOLTAGE	COLOR	FITTER	OPTION
MER541	OG3	GAC	100 MH / MED	120	BKTX	PA1	PBT

LENS

GAC: Clear Acrylic
GAO: Opal Acrylic
GAB: Brushed Acrylic

VOLTAGE

SINGLE TAP: **120 / 208 / 240 / 277 / 347 / 480**
DUAL TAP: **DT1/_* (120-240)**
DT2/_* (120-277)
TRI TAP: **TT1/_* (120-208-240)**
TT2/_* (120-277-347)
QUAD TAP: **QT/_* (120-208-240-277)**
* = connected at _____ volts

WATT / SOURCE / SOCKET

METAL HALIDE **50 / 70 / 100 / 150 / 175** **MH** **MED** (Medium)
70 / 100 / 150 / 175 **MH** **MOG** (Mogul)

Options: **/EL** Electronic Ballast
/ID_* Step Dimming *6, 8 or 10 hours

45 / 60 / 90 / 140 **MH** **PGZ12**
210 / 315 **MH** **PGZ18**

Options: **/ID_*** Step Dimming *6, 8 or 10 hours

HIGH PRESSURE SODIUM **35 / 50 / 70 / 100 / 150** **HPS** **MED** (Medium)
50 / 70 / 100 / 150 **HPS** **MOG** (Mogul)

LED **35 / 55 / 70** **LEDD** (TYPE 3 & 5)

COLOR

TEXTURED FINISH		FINE TEXTURED FINISH	
BKTX	Black	BKST	Black
BZTX	Bronze	ANST	Anthracite
GNDTX	Dark Green	GYST	Grey
GNTX	Green	SANST	Metallic Sand
BUTX	Blue		
RDTX	Red	SMOOTH FINISH	
GYTX	Grey	SYSM	Nu Sparkle Silver
TANTX	Tan		
WHTX	White		

OPTIONS

PBT: Button type photocell
HS: House side shield