

Ordering #	Wall thickness
# APM85 A	0.125"
# APM85 C	0.188"
# APM85 E	0.250"
# APM85 H	0.258/SCH40 (Ø5 9/16")
# APM85 I	0.375/SCH80 (Ø5 9/16")

Pole Guide

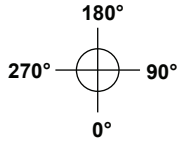
8 5/8"Ø to 5 9/16"Ø or 5"Ø
Bottleneck
Aluminum

APM85

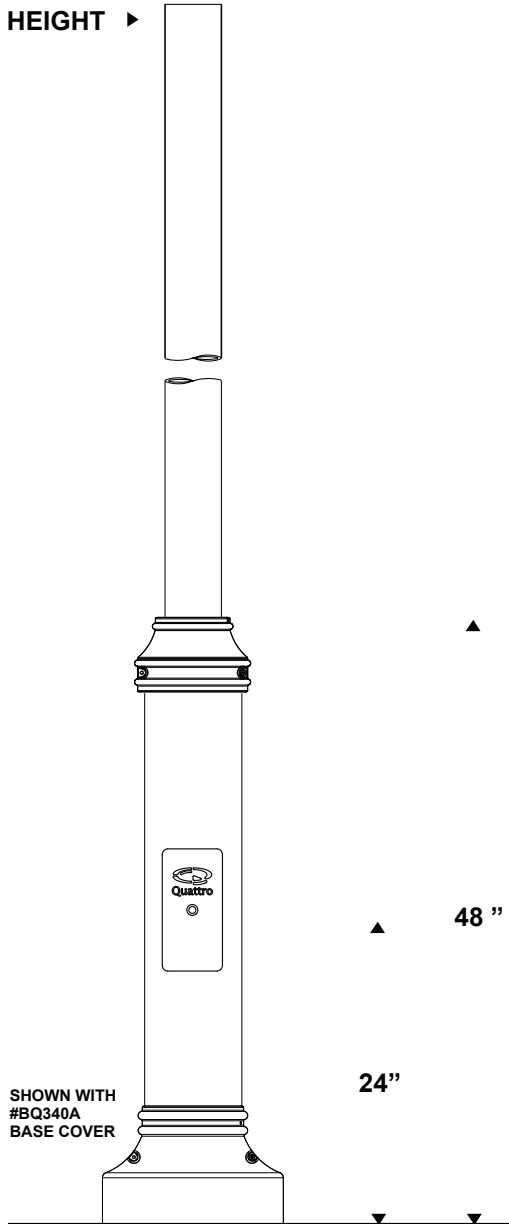
ORDERING INFO

POLE	HEIGHT	BASE COVER	COLOR	OPTION
APM85A	12	BQ340A	BKTX	GFI

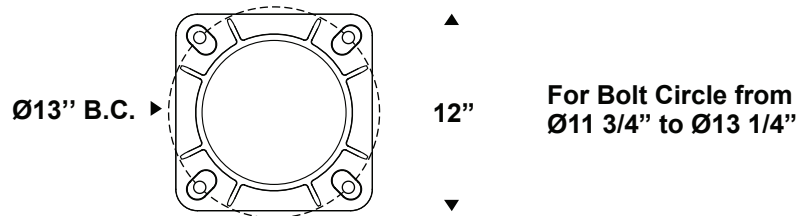
Bottleneck Ø8 5/8" to 5" or 5 9/16" outside diameter pole. The upper shaft, made of a Ø5" or Ø5 9/16" extruded aluminum tube, is welded over a second extruded aluminum tube of Ø8 5/8" c/w welded reinforcing rings. The pole assembly is welded to a heavy cast aluminum anchor plate. A cast aluminum access door covers a 4" x 9" hand hole located at 24" from anchor plate. C/w weatherproof gasket, hex socket head cap screw and ground bolt opposite to the door.



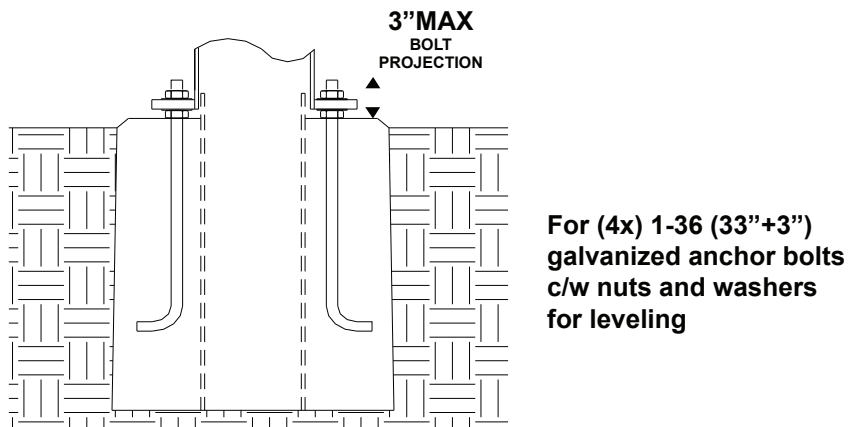
HEIGHT ▶



ANCHOR PLATE DETAIL



INSTALLATION DETAIL



OPTIONS

LF1 Single In-Line Fusing	TP Tamper Proof Screw (Access Door)
LF2 Double In-Line Fusing	PBT Button Type Photocell
DR Duplex Receptacle c/w Cover	PTL Twist Lock Photocell Receptacle
GFI Duplex Receptacle c/w Ground Fault Interrupter and Cover	PTL1 Twist Lock Photocell Receptacle c/w Painted Photocell Cover

COLOR

Consult color chart

QUATTRO
www.quattrolighting.com