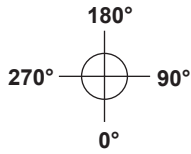


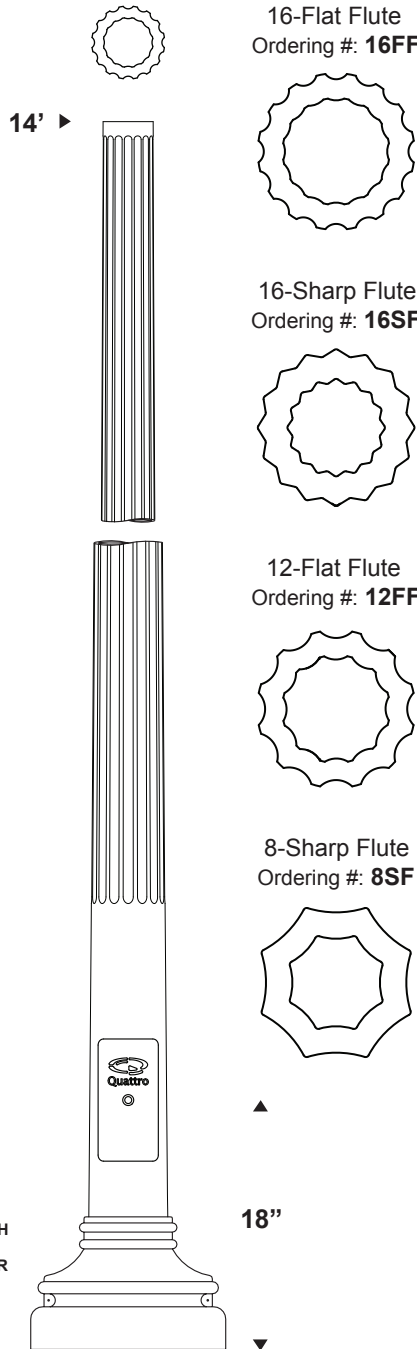
Ordering #

Wall thickness

# ATFP64 B	0.156"
# ATFP64 C	0.188"
# ATFP64 D	0.219"
# ATFP64 E	0.250"



**AVAILABLE FLUTED SHAPES**



SHOWN WITH #BQ311 BASE COVER

**Pole Guide**

Round  
Tapered  
Fluted  
Aluminum

**ATFP64**

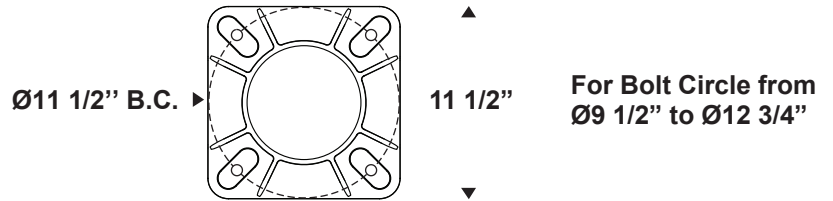
**ORDERING INFO**

POLE	HEIGHT	BASE COVER	COLOR	OPTION
ATFP64B / 16FF	14	BQ340A	BKTX	GFI

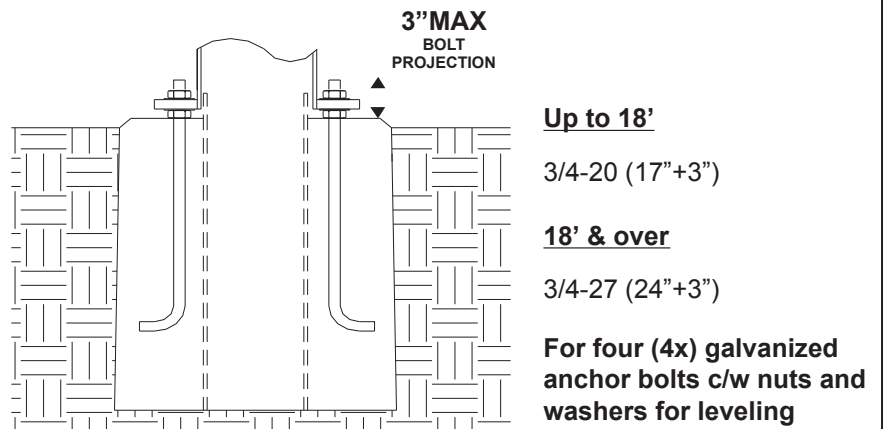
Round tapered fluted aluminum pole made from a spun 6063 - Alloy conical fluted tube. The base is welded to a cast aluminum anchor plate. A 4" by 9" hand hole is located at 18" from anchor plate c/w ground bolt. Cast aluminum door provided with weatherproof gasket and hex socket head cap screw.

Dimensions can vary: Contact Quattro technical sales representative for available bottom and top diameters and heights.

**ANCHOR PLATE DETAIL**



**INSTALLATION DETAIL**



**OPTIONS**

<b>LF1</b> Single In-Line Fusing	<b>TP</b> Tamper Proof Screw (Access Door)
<b>LF2</b> Double In-Line Fusing	<b>PBT</b> Button Type Photocell
<b>DR</b> Duplex Receptacle c/w Cover	<b>PTL</b> Twist Lock Photocell Receptacle
<b>GFI</b> Duplex Receptacle c/w Ground Fault Interrupter and Cover	<b>PTL1</b> Twist Lock Photocell Receptacle c/w Painted Photocell Cover

**COLOR**

Consult color chart