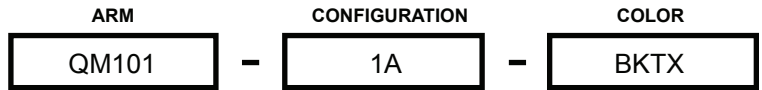
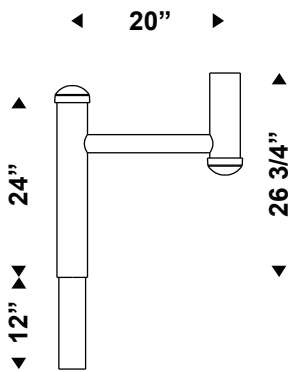


Mounting Arm Guide

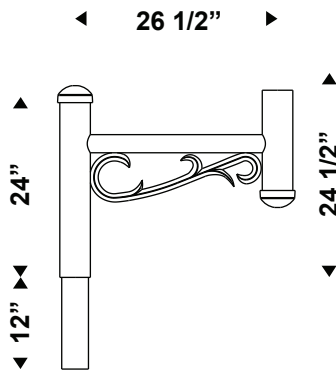
ORDERING INFO



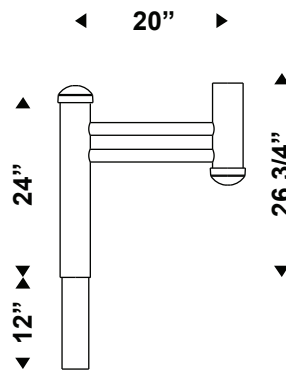
The QM 100 series top mounted arms featuring a 2 3/8" round section of extruded aluminum tubing welded to an aluminum tube, same as pole, capped off with a cast aluminum cap. A cast aluminum scroll can be added as a decorative element. The mounting luminaire adaptor is made from a 4" round by 5" high minimum. All mountings are prewired for ease of installation.



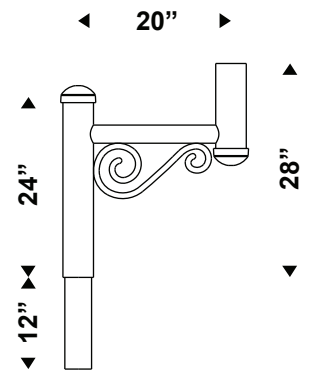
QM 100



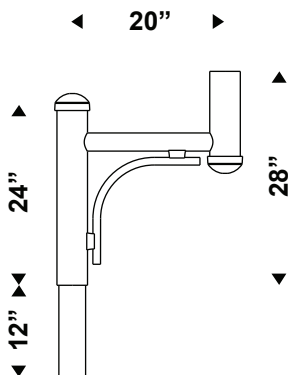
QM 101



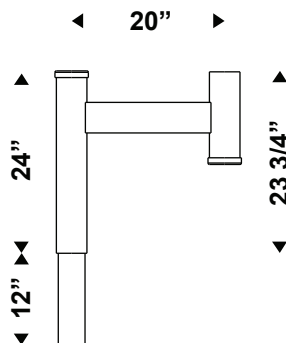
QM 102



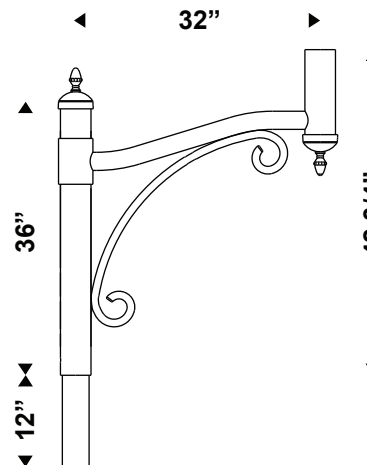
QM 103



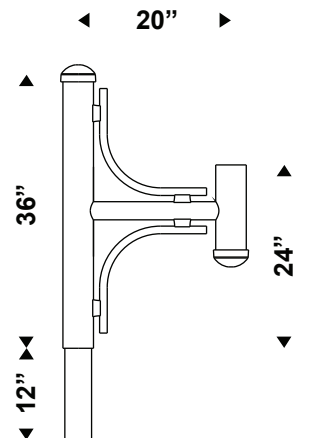
QM 104



QM 105

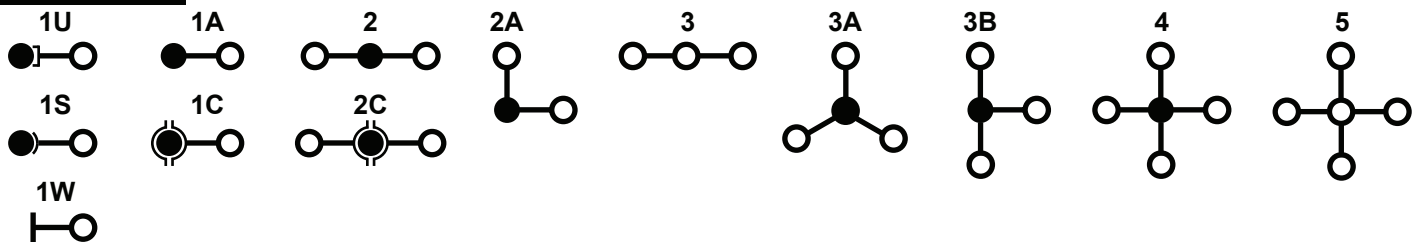


QM 106



QM 107

CONFIGURATION



COLOR

Consult color chart