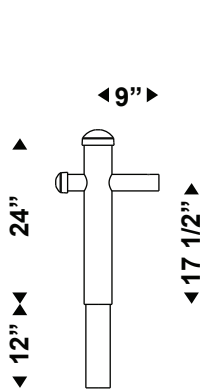


Mounting Arm Guide

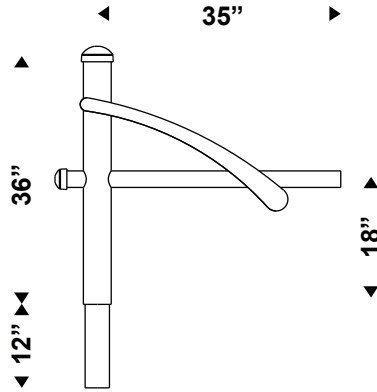
ORDERING INFO

ARM	CONFIGURATION	COLOR
QM502	1A	BKTX

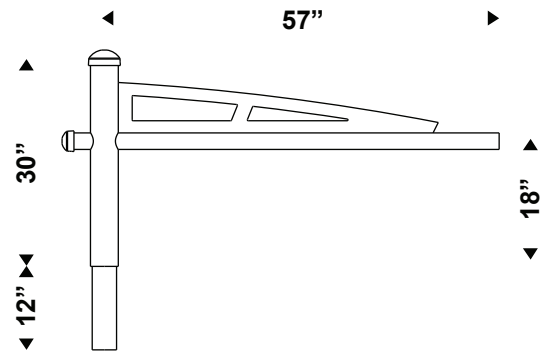
The QM 500 series side mounted arms featuring a 2 3/8" round section of extruded aluminum tubing welded to an aluminum tube, same as pole, capped off with a cast aluminum cap. A formed aluminum scroll or cut piece of flat aluminum can be added as a decorative element. All mountings are prewired for ease of installation.



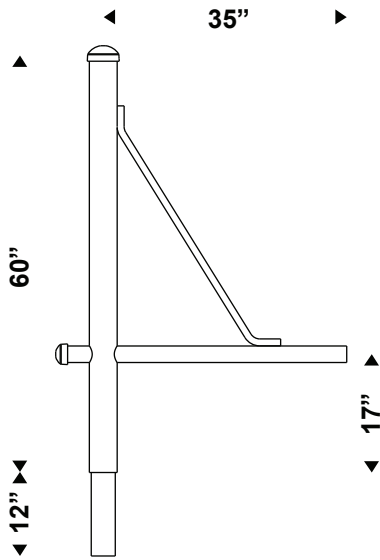
QM 500



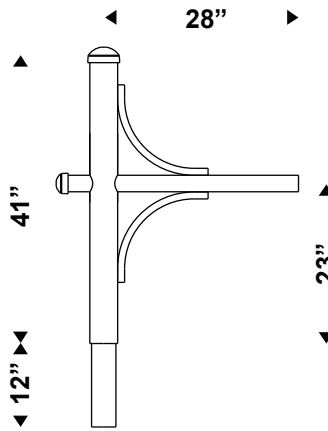
QM 501



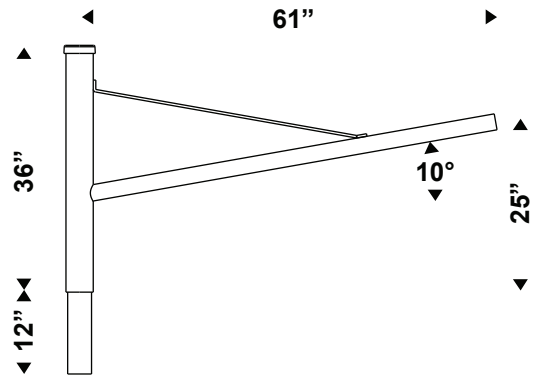
QM 502



QM 503

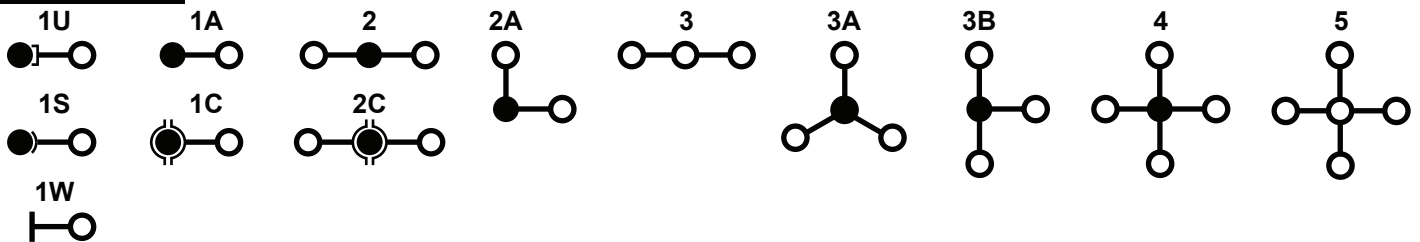


QM 504



QM 505

CONFIGURATION



COLOR

Consult color chart