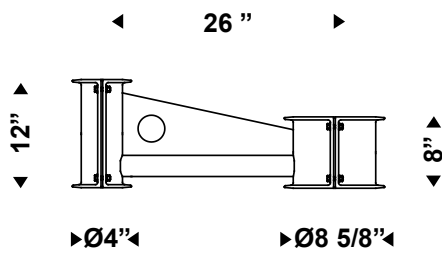


## Mounting Arm Guide

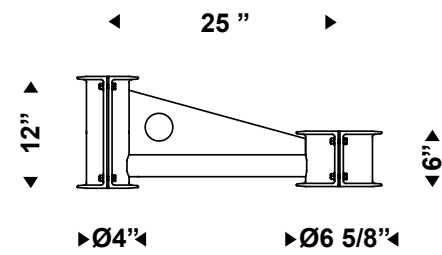
### ORDERING INFO

ARM	CONFIGURATION	COLOR
QM506	1A	BKTX

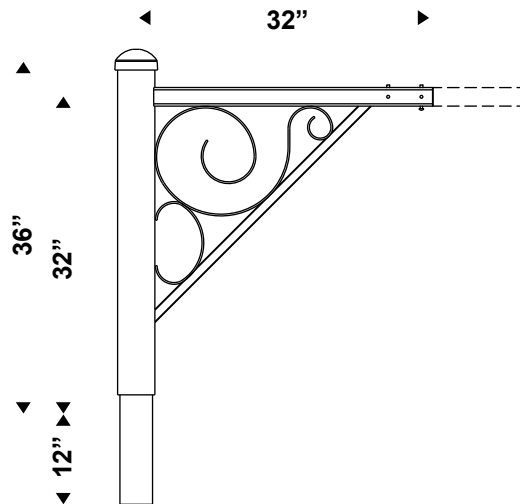
The QM506 and QM507 are side mounted arms featuring a 2 3/8" round section of extruded aluminum tubing welded to cast aluminum brackets and fixed on pole and luminaire. The QM510 is a 2"x2" side mounted aluminum arm welded to a tube, same as pole, capped off with a cast aluminum cap with decorative curved elements. All mountings are prewired for ease of installation.



QM 506

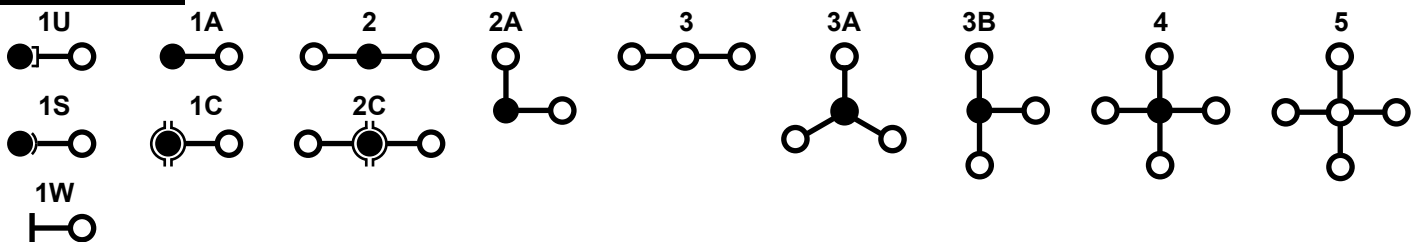


QM 507



QM 510

### CONFIGURATION



### COLOR

Consult color chart