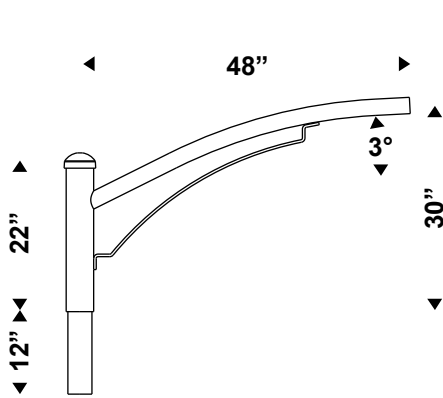


## Mounting Arm Guide

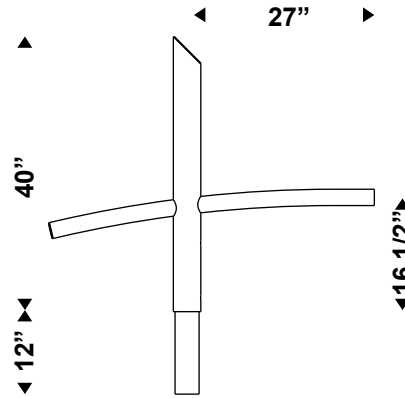
### ORDERING INFO

ARM	CONFIGURATION	COLOR
QM514	1A	BKTX

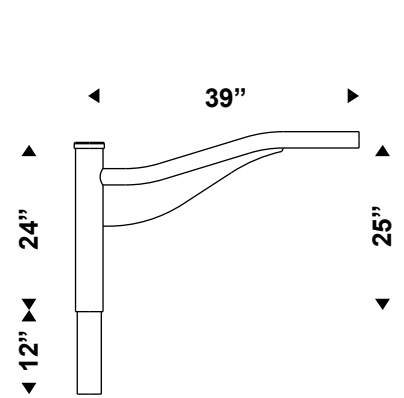
QM510 and QM520 series side mounted arms featuring a 2 3/8" round section of extruded aluminum tubing welded to an aluminum tube, same as pole, capped off with a cast aluminum cap. A formed aluminum tubing or cut piece of flat aluminum can be added as a decorative element. All mountings are prewired for ease of installation.



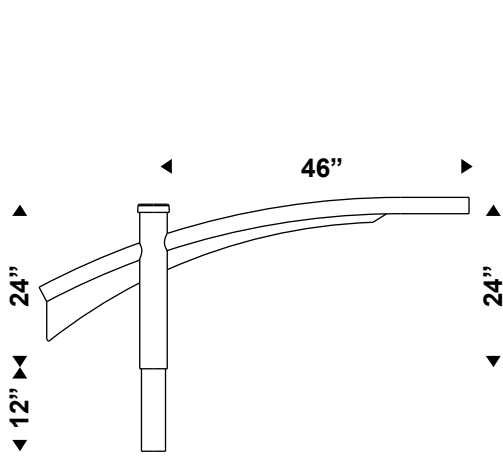
QM 514



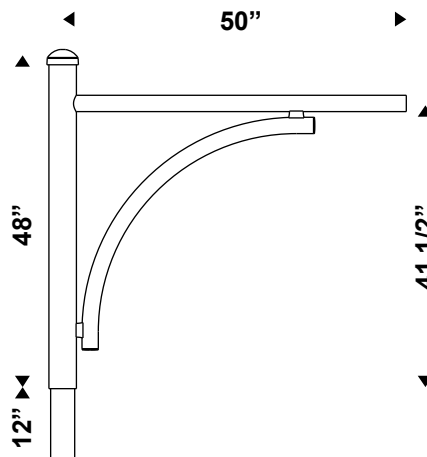
QM 521



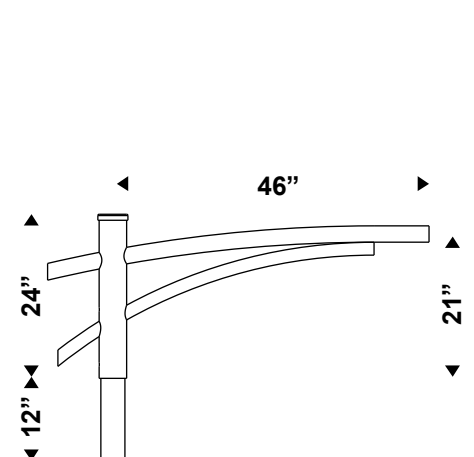
QM 522



QM 523

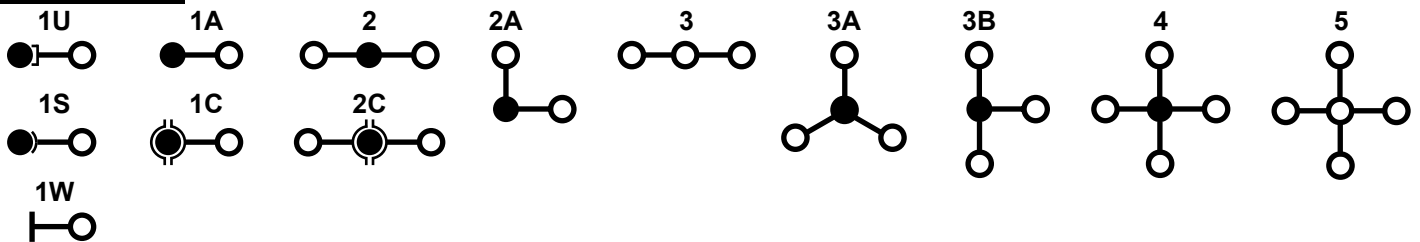


QM 524



QM 526

### CONFIGURATION



### COLOR

Consult color chart