

Ordering #

Wall thickness

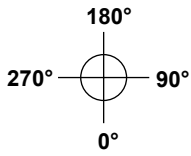
# ATFC54 I

0.375"

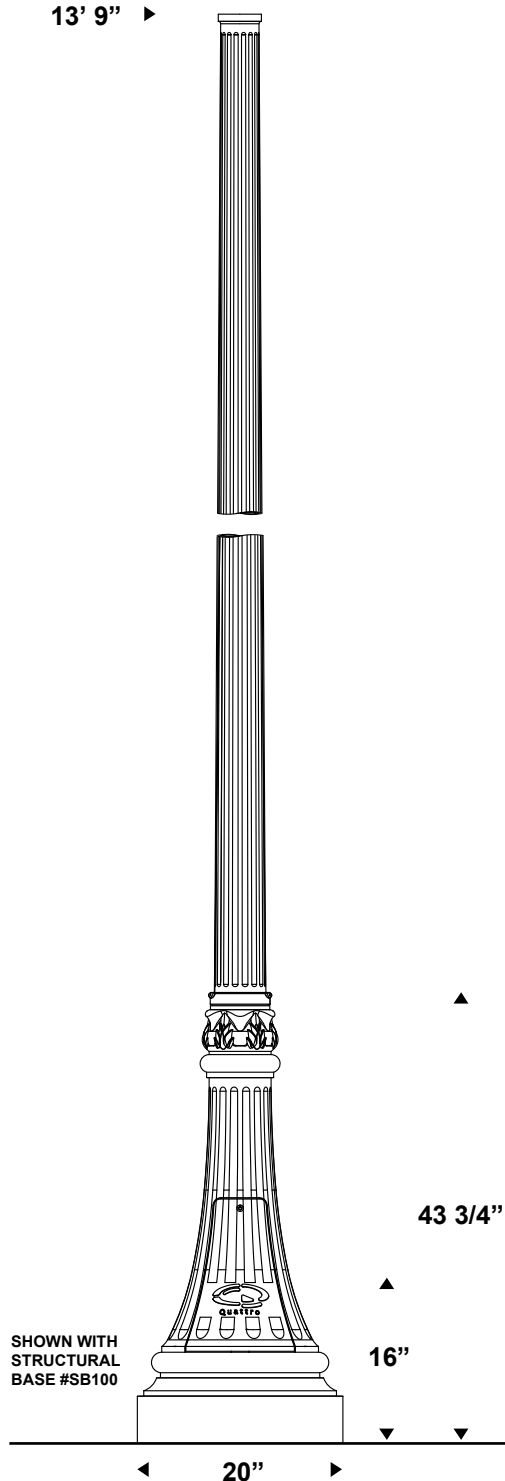
# Pole Guide

Tapered  
Fluted  
Cast aluminum

# ATFC54



13' 9" ▶



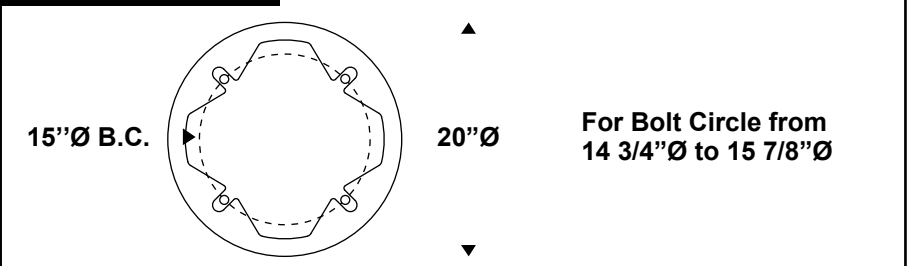
## ORDERING INFO

| POLE    | HEIGHT | BASE COVER | COLOR | OPTION |
|---------|--------|------------|-------|--------|
| ATFC54I | 13' 9" | SB100      | BKTX  | GFI    |

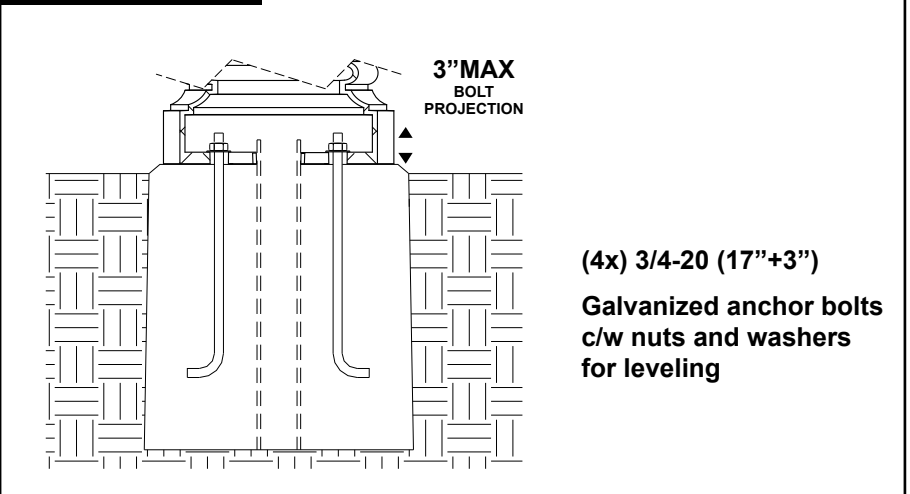
Made from a 16-flute cast aluminum alloy 356, tapered pole, 5"Ø to 4"Ø. The pole base is welded to a decorative molded aluminum structural base, same alloy as shaft. A 6" by 14" hand hole is located at 16" from anchor plate c/w ground bolt. Cast aluminum door provided with weatherproof gasket and hex socket head cap screw.

Other dimensions are possible. Please contact Quattro Lighting technical sales representative.

## ANCHOR PLATE DETAIL



## INSTALLATION DETAIL



## OPTIONS

|   |   |
|---|---|
| <b>LF1</b> Single In-Line Fusing                                    | <b>TP</b> Tamper Proof Screw (Access Door)                              |
| <b>LF2</b> Double In-Line Fusing                                    | <b>PBT</b> Button Type Photocell  |
| <b>DR</b> Duplex Receptacle c/w Cover                               | <b>PTL</b> Twist Lock Photocell Receptacle                              |
| <b>GFI</b> Duplex Receptacle c/w Ground Fault Interrupter and Cover | <b>PTL1</b> Twist Lock Photocell Receptacle c/w Painted Photocell Cover |

## COLOR

Consult color chart

**QUATTRO**  
www.quattrolighting.com