

Ordering #

Wall thickness

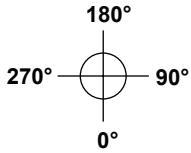
# ATFC74 E

0.250"

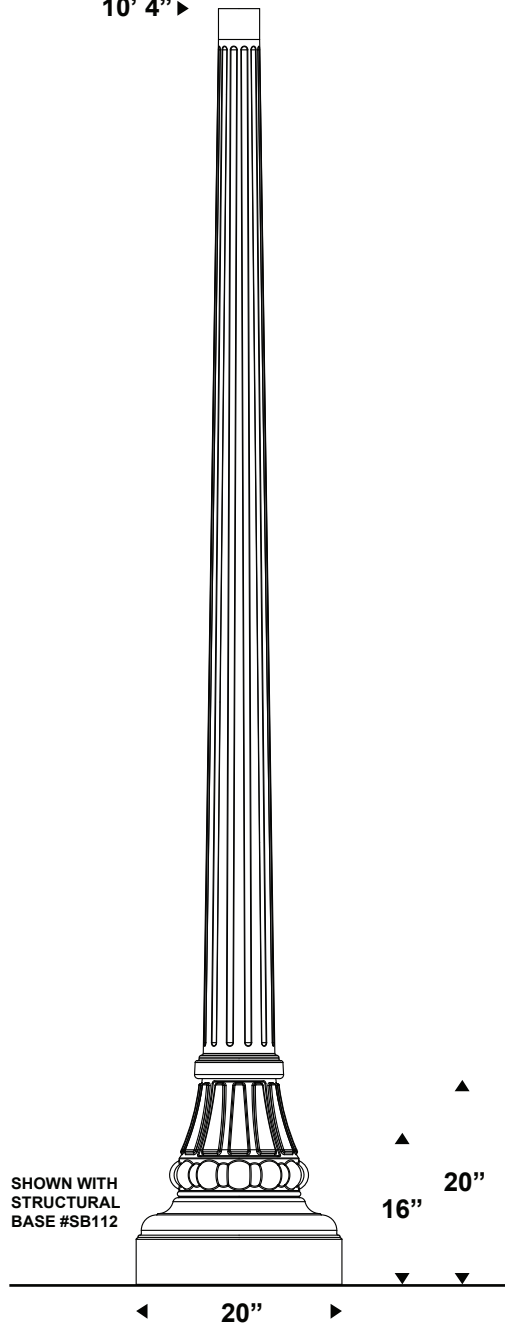
# Pole Guide

Tapered  
Fluted  
Cast aluminum

# ATFC74



10' 4" ▶



SHOWN WITH  
STRUCTURAL  
BASE #SB112

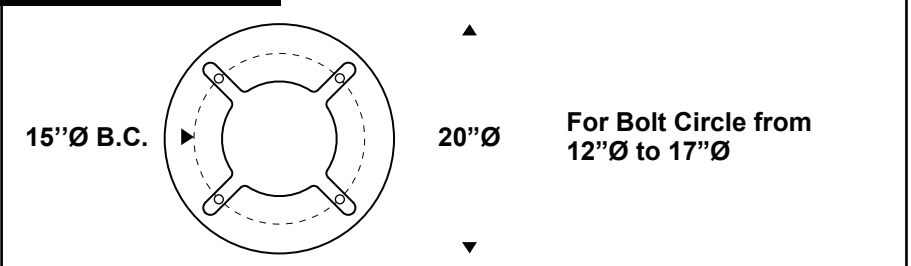
## ORDERING INFO

POLE	HEIGHT	BASE COVER	COLOR	OPTION
ATFC74E	10' 4"	SB112	BKTX	GFI

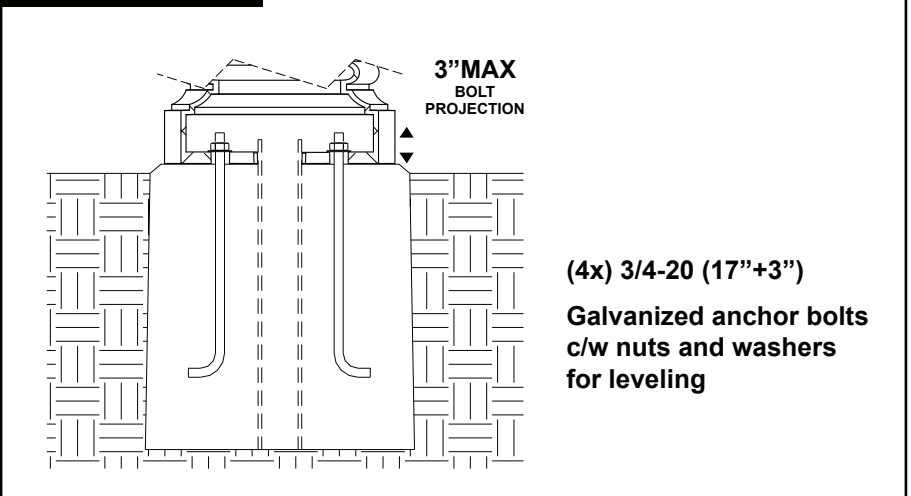
Made from a 12-flute cast aluminum alloy 356, tapered pole, 7"Ø to 4"Ø. The pole base is welded to a decorative molded aluminum structural base, same alloy as shaft. A 5" by 7" hand hole is located at 16" from anchor base c/w ground bolt. Cast aluminum door provided with weatherproof gasket and hex socket head cap screw.

Other dimensions are possible. Please contact Quattro Lighting technical sales representative.

## ANCHOR PLATE DETAIL



## INSTALLATION DETAIL



## OPTIONS

LF1	Single In-Line Fusing	TP	Tamper Proof Screw (Access Door)
LF2	Double In-Line Fusing	PBT	Button Type Photocell
DR	Duplex Receptacle c/w Cover	PTL	Twist Lock Photocell Receptacle
GFI	Duplex Receptacle c/w Ground Fault Interrupter and Cover	PTL1	Twist Lock Photocell Receptacle c/w Painted Photocell Cover

## COLOR

Consult color chart

**QUATTRO**  
www.quattrolighting.com