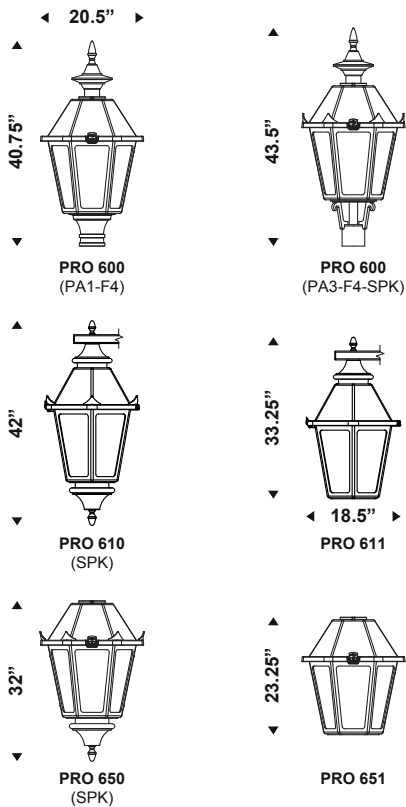


QUATTRO

PROVINCIAL series



PRO600



Provincial Series



QUATTRO

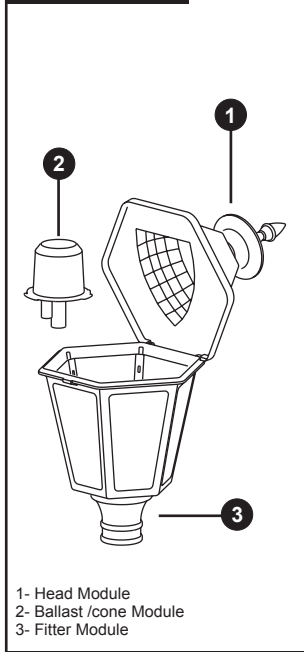
www.quattrolighting.com

The PRO600 series fixtures are made of a cast aluminum hexagonal tapered housing and hood provided with a decorative spun aluminum cupola and a cast aluminum finial. The head module is welded to a post top fitter. Both proposed fitters are designed to fit onto a 4" outside diameter pole or else, with the addition of a post top reducer, it could fit other pole dimensions. The opening hinged system provided with a latch allows a tool free and hands free access to the lamp and ballast or LED device and driver. PRO610 and PRO611 offer a side mount (continuity of a 2"x2" mounting arm). PRO650 and PRO651 offer a suspended mount.

OPTIC

ORH_* Full cut-off Reflector Horizontal lamp Decorative glass chimney or silver painted cone		OG_* OG_*/QS (IP66) Non cut-off Glass refractor Vertical lamp	
OCB_* OCB_*/QS (IP66) Full cut-off Reflector Horizontal lamp Decorative glass chimney or silver painted cone		OLS_* Semi cut-off Louvers System Vertical lamp	
ORV_* Semi cut-off Reflector Vertical lamp Decorative glass chimney or silver painted cone		NO5 NO5/QS (IP66) Non cut-off Vertical lamp	
		L_* (IP66) Full cut-off LED Module Decorative glass chimney or silver painted cone	

MAINTENANCE



ORDERING INFO

E.P.A: 2.65 sq ft
WEIGHT: 48 lbs

PRODUCT	OPTIC	LENS	WATT / SOURCE / SOCKET	VOLTAGE	COLOR	FITTER	FINIAL	OPTION
PRO600	OG3/QS	GPC	100 MH / MED	120	BKTX	PA1	F4	AC

LENS

IP66 THERMOFORMED GLOBE (QS)	IP54 LENS ASSEMBLY	
GAC: Clear Acrylic	GAC: Clear Acrylic	GAF: Frosted Acrylic
GPC: Clear Polycarbonate	GPC: Clear Polycarbonate	GCG: Clear Glass
GAO: Opal Acrylic	GAO: Opal Acrylic	GGB: Brushed Glass
GPO: Opal Polycarbonate	GPO: Opal Polycarbonate	
GAB: Brushed Acrylic	GAB: Brushed Acrylic	

VOLTAGE

SINGLE TAP:	120 / 208 / 240 / 277 / 347 / 480
DUAL TAP:	DT1/_* (120-240) * = connected at DT2/_* (120-277) _____ volts
TRI TAP:	TT1/_* (120-208-240) TT2/_* (120-277-347)
QUAD TAP:	QT/_* (120-208-240-277)

WATT / SOURCE / SOCKET

METAL HALIDE	50 / 70 / 100 / 150 / 175	MH MED (Medium)
	70 / 100 / 150	MH MOG (Mogul: OG/QS-NO/QS)
	70 / 100 / 150 / 250 / 400	MH MOG (Mogul: OG-NO)
Options:	/EL Electronic Ballast /D_* Step Dimming *6, 8 or 10 hours	
	45 / 60 / 90 / 140	MH PGZ12
	210 / 315	MH PGZ18
Options:	/D_* Step Dimming *6, 8 or 10 hours	
HIGH PRESSURE SODIUM	35 / 50 / 70 / 100	HPS MED (Medium: OCB/QS-OCB)
	35 / 50 / 70 / 100 / 150	HPS MED (Medium: ORH-ORV-OLS-OG/QS-NO/QS)
	50 / 70 / 100	HPS MOG (Mogul: OG/QS-NO/QS)
	50 / 70 / 100 / 150 / 200 / 250 / 400	HPS MOG (Mogul: OG-NO-ORH-ORV-OLS)
LED	35 / 55 / 70	LEDD (TYPE 3 & 5)
	31 / 45 / 48 / 65 / 68 / 91 / 99 / 140	LEDF (TYPE 3 & 5)

COLOR

TEXTURED FINISH		FINE TEXTURED FINISH	
BKTX Black	BKST Black	ANST Anthracite	GYST Grey
BZTX Bronze	ANST Anthracite	GYST Grey	SANST Metallic Sand
GNDTX Dark Green	GYST Grey	SANST Metallic Sand	
GNTX Green	SANST Metallic Sand		
BUTX Blue			
RDTX Red			
GYTX Grey			
TANTX Tan			
WHTX White			
		SMOOTH FINISH	
		SYSM Nu Sparkle Silver	

FITTER



FINIAL



OPTIONS

CH: Decorative glass chimney	AB: Brass accent
S: Decorative silver painted spun cone	AC: Copper accent
PTR: Post top reducer	AO: Chrome accent
HS: House side shield	SPK: Decorative spikes
PBT: Button type photocell	LRM/F_: Ladder rest
PTL: Twist lock photocell receptacle (only PRO600)	
PTL1: Twist lock photocell receptacle c/w cover (only PRO600)	