

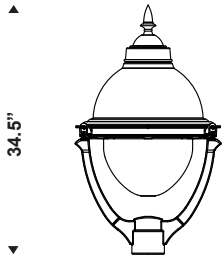
QUATTRO

SIERRA series

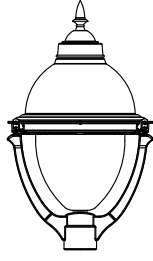


SRA507

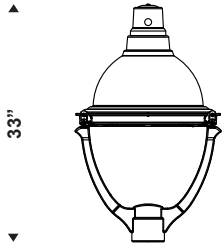
◀ Ø20.25" ▶



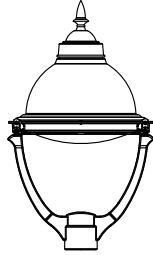
SRA 507
(Short Globe)



SRA 507
(Long Globe)



SRA 507
(Flat Glass-PTL1)



SRA 507
(Sagged Glass)

E.P.A: 2.5 sq ft

WEIGHT: 44 lbs

ORDERING INFO

PRODUCT	OPTIC	LENS	WATT / SOURCE / SOCKET	VOLTAGE	COLOR	FINIAL	OPTION
SRA507	OCB3	GGC	100 MH / MED	120	BKTX	F3	AC

LENS

GGC: Clear Flat Tempered Glass Lens
GGB: Brushed Flat Tempered Glass Lens
GGSC: Clear Tempered Glass Sagged Lens
GGSC: Brushed Tempered Glass Sagged Lens

GGPS: Polycarbonate Prismatic Short Globe
GAPS: Acrylic Prismatic Short Globe
GGPS: Glass Prismatic Short Globe
GPPL: Polycarbonate Prismatic Long Globe
GAPL: Acrylic Prismatic Long Globe
GGPL: Glass Prismatic Long Globe

WATT / SOURCE / SOCKET

METAL HALIDE **50 / 70 / 100 / 150 / 175** **MH** **MED** (Medium)
70 / 100 / 150 **MH** **MOG** (Mogul)

Options: /EL Electronic Ballast
 /D_* Step Dimming *6, 8 or 10 hours

45 / 60 / 90 / 140 **MH** **PGZ12**
210 / 315 **MH** **PGZ18**

Options: /D_* Step Dimming *6, 8 or 10 hours

HIGH PRESSURE SODIUM **35 / 50 / 70 / 100 / 150** **HPS** **MED** (Medium)
50 / 70 / 100 / 150 **HPS** **MOG** (Mogul)

LED **35 / 55 / 70** **LEDD** (TYPE 3 & 5)
31 / 45 / 48 / 65 / 68 / 91 / 99 / 140 **LEDF** (TYPE 3 & 5)
140 **LEDE** (TYPE 3 & 5)

VOLTAGE

SINGLE TAP: **120 / 208 / 240 / 277 / 347 / 480**

DUAL TAP: **DT1/_* (120-240)** * = connected at
DT2/_* (120-277) _____ volts

TRI TAP: **TT1/_* (120-208-240)**
TT2/_* (120-277-347)

QUAD TAP: **QT/_* (120-208-240-277)**

COLOR

TEXTURED FINISH		FINE TEXTURED FINISH	
BKTX Black		BKST Black	
BZTX Bronze		ANST Anthracite	
GNDTX Dark Green		GYST Grey	
GNTX Green		SANST Metallic Sand	
BUTX Blue			
RDTX Red		SMOOTH FINISH	
GYTX Grey		SYSM Nu Sparkle Silver	
TANTX Tan			
WHTX White			

FINIAL



OPTIONS

PTR: Post top reducer
HS: House side shield
PBT: Button type photocell
PTL: Twist lock photocell receptacle
PTL1: Twist lock photocell receptacle c/w painted cover
AB: Brass accent
AC: Copper accent
AO: Chrome accent

Sierra Series



QUATTRO

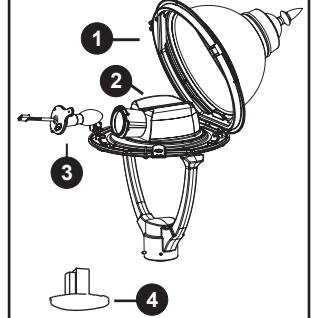
www.quattrolighting.com

The SRA507 Series fixtures are made of a heavy cast aluminum frame and housing surmounted of a spun aluminum hood provided with a decorative spun aluminum cupola and cast aluminum finial. The housing is assembled to the frame by means of an integrated hinge. The frame is welded to a cast aluminum yoke mount fitter. The fitter is designed to fit onto a 4" outside diameter pole or else, with the addition of a post top reducer, it could fit other pole dimensions. The hinged opening system allows a tool-free and hands-free access to the lamp and ballast or LED device and driver.

OPTIC

OCB_* Full cut-off Reflector Horizontal lamp **IP66 Rated** *Type 1 to 4

L_* Full cut-off LED Module **IP66 Rated** *Type 3 & 5



1- Head Module
 2- Optic Module
 3- Lamp Module
 4- Ballast /cone Module