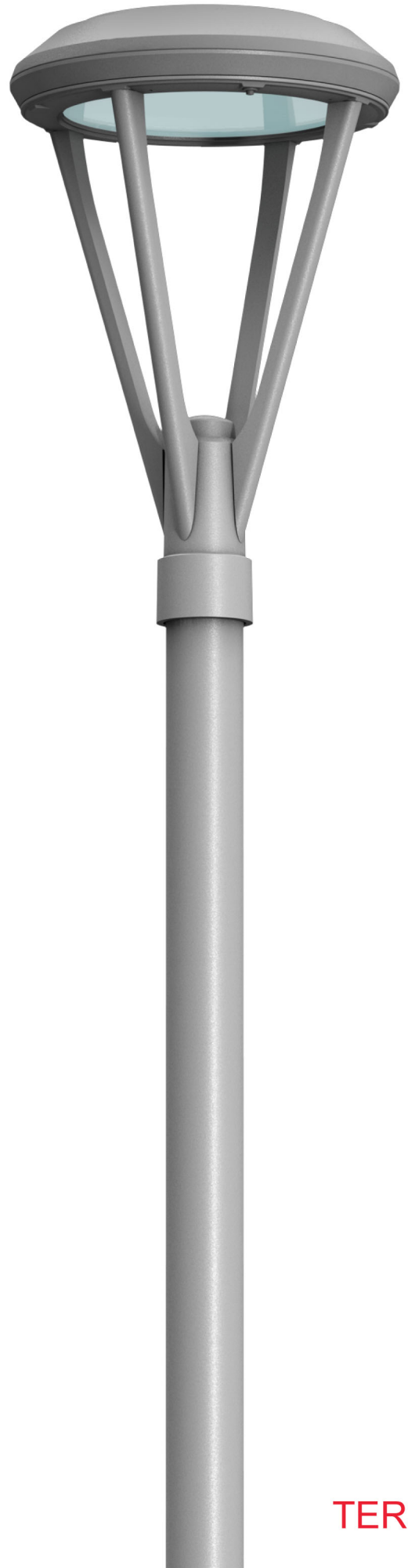
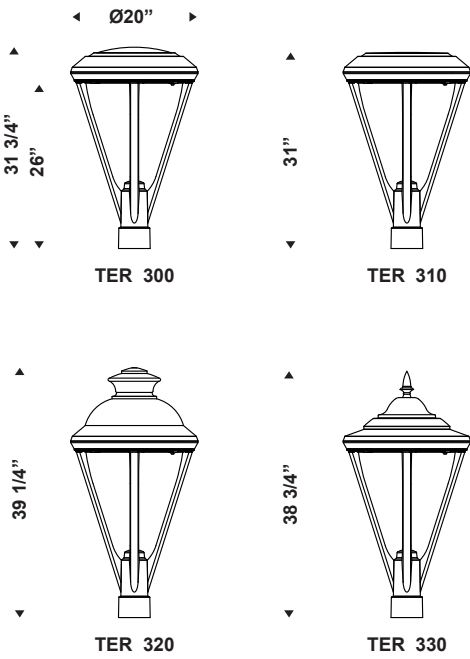


QUATTRO

TERRA  
series



TER310



E.P.A.: 2.2 sq ft

WEIGHT: 35 lbs

**ORDERING INFO**

PRODUCT	OPTIC	LENS	WATT / SOURCE / SOCKET	VOLTAGE	COLOR	FINIAL	OPTION
TER330	OCB3	GGC	100 MH / MED	120	BKTX	F3	PBT

**LENS**

- GGC:** Clear Flat Tempered Glass Lens
- GGB:** Brushed Flat Tempered Glass Lens
- GGSC:** Clear Tempered Glass Sagged Lens
- GGSB:** Brushed Tempered Glass Sagged Lens

**WATT / SOURCE / SOCKET**

METAL HALIDE	50 / 70 / 100 / 150	MH	MED (Medium)
	70 / 100 / 150	MH	MOG (Mogul: TER320)
Options:	/EL Electronic Ballast		
	/D_* Step Dimming *6, 8 or 10 hours		
	45 / 60 / 90 / 140	MH	PGZ12
	210 / 315	MH	PGZ18 (TER320)
Options:	/D_* Step Dimming *6, 8 or 10 hours		
HIGH PRESSURE SODIUM	35 / 50 / 70 / 100 / 150	HPS	MED (Medium)
	50 / 70 / 100 / 150	HPS	MOG (Mogul: TER320)
LED	35 / 55 / 70	LEDD	(TYPE 3 & 5)
	31 / 45 / 48 / 65 / 68 / 91 / 99 / 140	LEDF	(TYPE 3 & 5)
	140	LEDE	(TYPE 3 & 5)

**Terra Series**



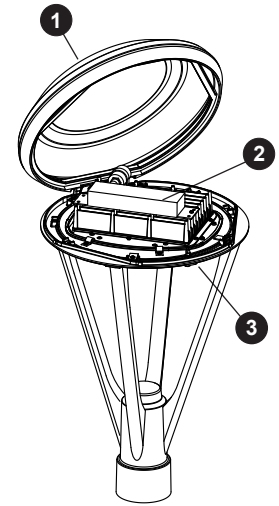
The TER300 Series fixtures are made of a cast aluminum fitter provided with four cast aluminum arms and a heavy cast aluminum frame. A cast aluminum housing surmounted of a spun aluminum hood is assembled to the frame by means of an integrated hinge. The push button opening system allows a tool-free and hands-free access to the lamp and ballast or LED device and driver. In the case of the OCB optic, the removable ballast assembly is located within the fitter and is accessible by a tool-less rotary cap spring. The fitter is designed to fit onto a 4" outside diameter pole or else, with the addition of a post top reducer, it could fit other pole dimensions. The product comes with tempered, flat or sagged, glass lens. Regarding LED device configurations, no need for lens because the LED device is a whole unit and meets the IP66 standard.

**OPTIC**

<b>OCB_*</b> Full cut-off Reflector Horizontal lamp <b>IP66 Rated</b> (Only available for TER300 - TER320 - TER330)		<b>L_*</b> Full cut-off LED Module <b>IP66 Rated</b>	
	*Type 1 to 4		*Type 3 & 5

**QUATTRO**  
www.quattrolighting.com

**MAINTENANCE**



- 1- Head Module
- 2- Ballast Module
- 3- Lens Module

**VOLTAGE**

- SINGLE TAP: 120 / 208 / 240 / 277 / 347 / 480
- DUAL TAP: DT1/\_\* (120-240) \* = connected at \_\_\_\_\_ volts
- DT2/\_\* (120-277)
- TRI TAP: TT1/\_\* (120-208-240)
- TT2/\_\* (120-277-347)
- QUAD TAP: QT/\_\* (120-208-240-277)

**COLOR**

TEXTURED FINISH	FINE TEXTURED FINISH
<b>BKTX</b> Black	<b>BKST</b> Black
<b>BZTX</b> Bronze	<b>ANST</b> Anthracite
<b>GNDTX</b> Dark Green	<b>GYST</b> Grey
<b>GNTX</b> Green	<b>SANST</b> Metallic Sand
<b>BUTX</b> Blue	
<b>RDTX</b> Red	<b>SMOOTH FINISH</b>
<b>GYTX</b> Grey	<b>SYSM</b> Nu Sparkle Silver
<b>TANTX</b> Tan	
<b>WHTX</b> White	

**FINIAL**



**OPTIONS**

- PTR:** Post top reducer
- PBT:** Button type photocell
- PTL:** Twist lock photocell receptacle
- PTL1:** Twist lock photocell receptacle c/w painted cover